

Contents	Page
Han D® HMC.....	<b>16.3</b>
Han DD® HMC .....	<b>16.6</b>
Contacts Han D/DD® HMC .....	<b>16.11</b>
Han E® HMC.....	<b>16.12</b>
Han® EEE HMC.....	<b>16.17</b>
Contacts Han E® HMC / Han® EEE HMC .....	<b>16.20</b>
Han-Modular® Hinged frames.....	<b>16.21</b>
Han-Modular® Docking frames .....	<b>16.26</b>
Han E® module .....	<b>16.30</b>
Han E® Protected module.....	<b>16.32</b>
Han® EE module.....	<b>16.34</b>
Han® EEE module .....	<b>16.36</b>
Han DD® module .....	<b>16.38</b>
Han® DDD module.....	<b>16.40</b>
Han® HMC hoods/housings .....	<b>16.42</b>
Docking frame .....	<b>16.50</b>

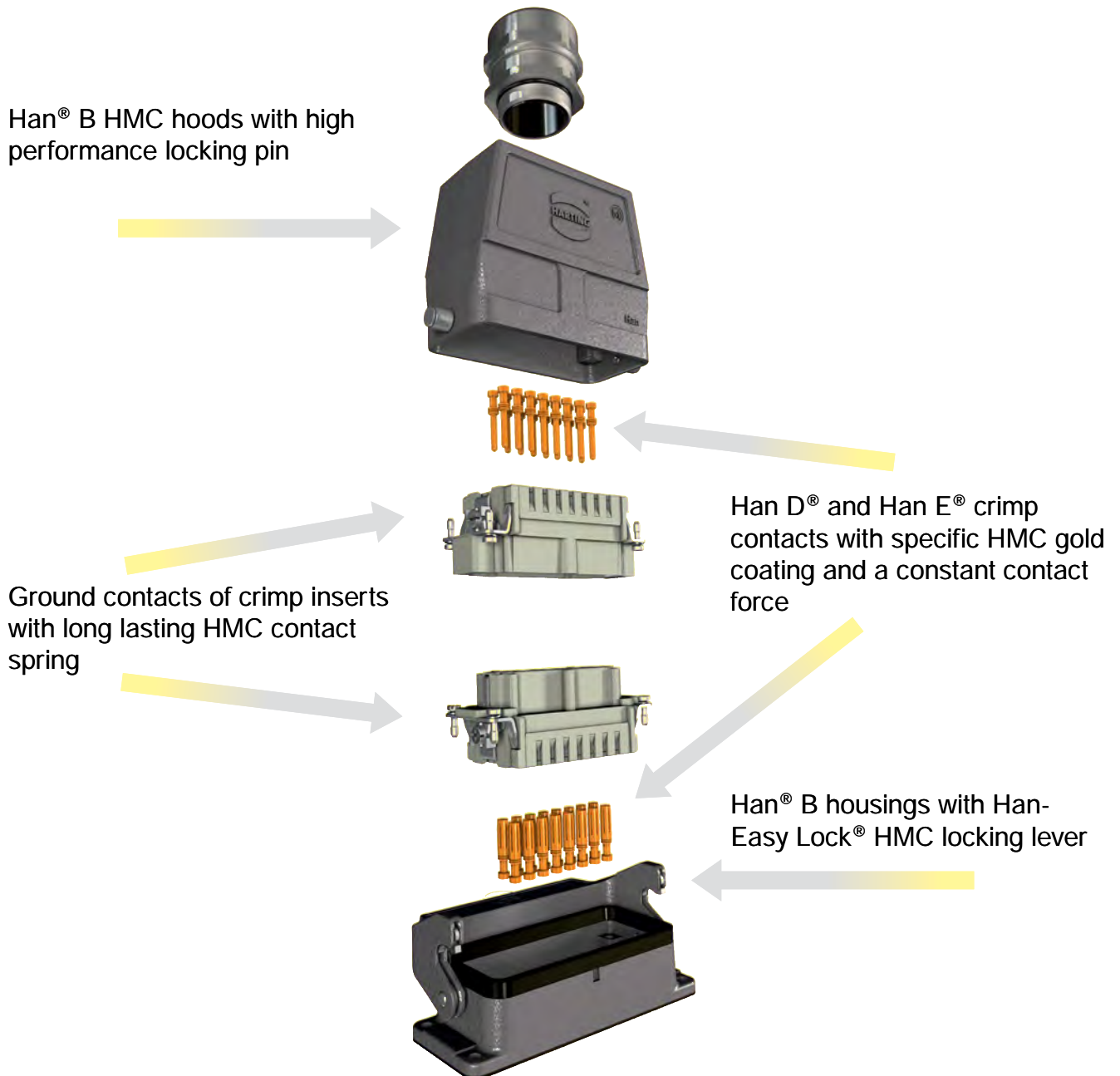
## Features

This series Han® HMC (High Mating Cycles) is a connector series specifically aiming at industrial applications for 10,000 mating cycles.

Benefits:

- High mechanical robustness
- Simple and easy understandable design
- Optimized concept for signal and power transmission
- Low mating and unmating forces
- High contact density

## General Description



Han HMC

## Features

- High density of contacts
- Time saving rapid termination by use of crimping contacts
- For requirements up to 250 V / 10 A
- Suitable for hoods/housings of series Han<sup>®</sup> B HMC
- Contacts available with special HMC gold plating for 10,000 mating cycles

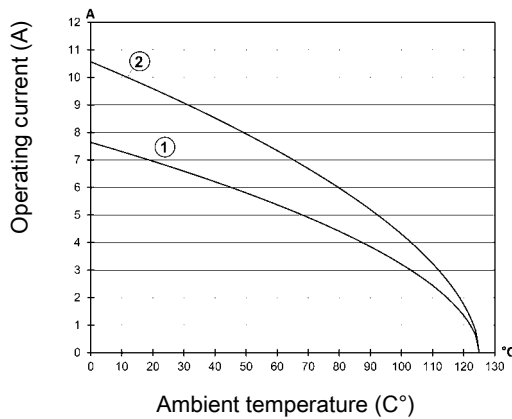
## Derating

### Current carrying capacity

The current carrying capacity of the connectors is limited by the thermal load capability of the contact element material including the connections and the insulating parts. The derating curve is therefore valid for currents which flow constantly (non-intermittent) through each contact element of the connector evenly, without exceeding the allowed maximum temperature.

Measuring and testing techniques acc. to IEC 60512-5-2

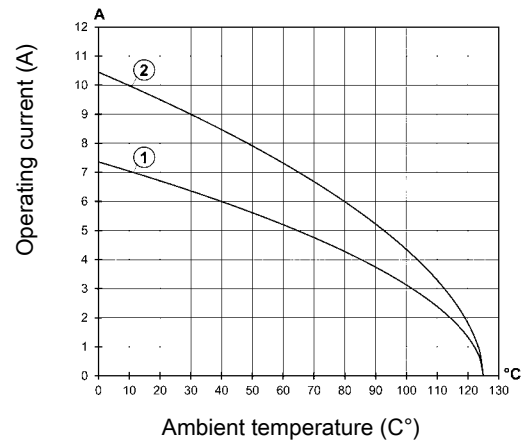
Han<sup>®</sup> 40 D HMC



- ① 0.75 mm<sup>2</sup>
- ② 1.5 mm<sup>2</sup>

## Derating

Han<sup>®</sup> 64 D HMC



- ① 0.75 mm<sup>2</sup>
- ② 1.5 mm<sup>2</sup>

## Technical characteristics

Contacts	40, 64
Electrical data acc. to IEC 61984	<b>10 A 250 V 4 kV 3</b>
Rated current	10 A
Rated voltage	250 V
Rated impulse voltage	4 kV
Pollution degree	3
Insulation resistance	≥10 <sup>10</sup> Ohm
Limiting temperatures	-40 °C ... 125 °C
Flammability (insert) acc. to UL 94	V 0
Mating cycles with HMC contacts	≥10000
Material (insert)	polycarbonate
Colour (insert)	RAL 7032 (light grey)

## Specifications and approvals


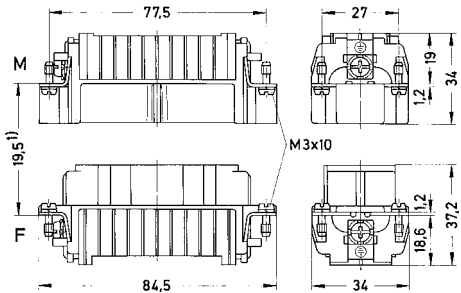
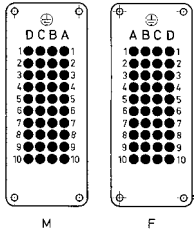
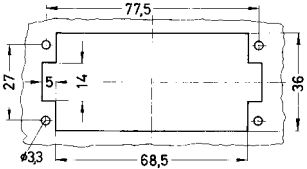
IEC 60664-1  
IEC 61984  
EN 175301-801



Number of contacts

40+

250 V  
10 A


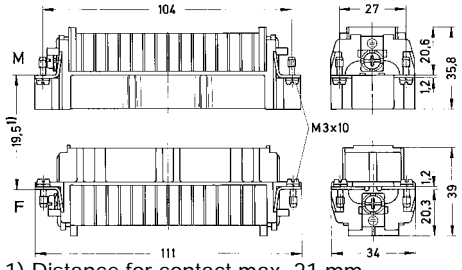
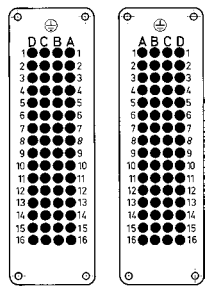
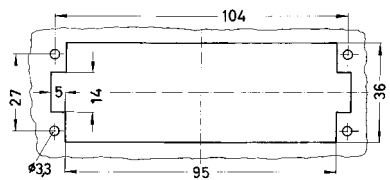
Identification	Part number		Drawing Dimensions in mm
	male	female	
Han D <sup>®</sup> HMC, Crimp terminal    Please order crimp contacts separately.	09 21 240 3001	09 21 240 3101	 1) Distance for contact max. 21 mm   Contact arrangement (view from termination side)   Panel cut out for inserts for use without hoods/housings

Han  
HMC

Number of contacts

64+

250 V  
10 A

Identification	Part number		Drawing Dimensions in mm
	male	female	
<p>Han D<sup>®</sup> HMC, Crimp terminal</p>  <p>Please order crimp contacts separately.</p>	09 21 264 3001	09 21 264 3101	 <p>1) Distance for contact max. 21 mm</p>  <p>Contact arrangement (view from termination side)</p>  <p>Panel cut out for inserts for use without hoods/housings</p>

Han HMC

## Features

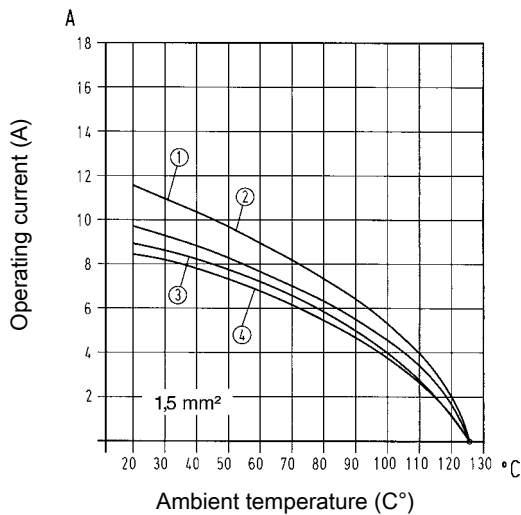
- High density of contacts
- Time saving rapid termination by use of crimping contacts
- For requirements up to 250 V / 10 A
- Suitable for hoods/housings of series Han<sup>®</sup> B HMC
- Contacts available with special HMC gold plating for 10,000 mating cycles

## Derating

### Current carrying capacity

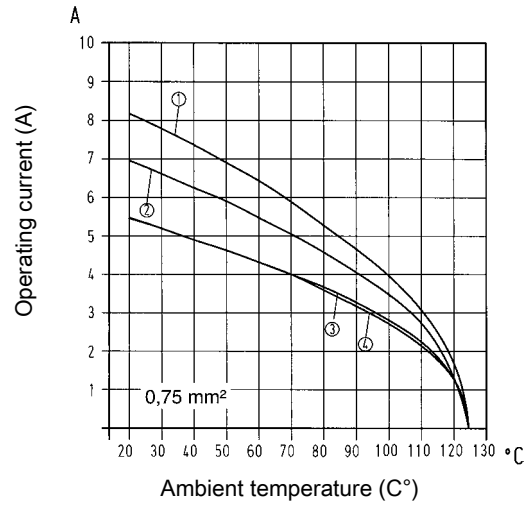
The current carrying capacity of the connectors is limited by the thermal load capability of the contact element material including the connections and the insulating parts. The derating curve is therefore valid for currents which flow constantly (non-intermittent) through each contact element of the connector evenly, without exceeding the allowed maximum temperature.

Measuring and testing techniques acc. to IEC 60512-5-2



- ① Han<sup>®</sup> 24 DD HMC
- ② Han<sup>®</sup> 42 DD HMC
- ③ Han<sup>®</sup> 72 DD HMC
- ④ Han<sup>®</sup> 108 DD HMC

## Derating



- ① Han<sup>®</sup> 24 DD HMC
- ② Han<sup>®</sup> 42 DD HMC
- ③ Han<sup>®</sup> 72 DD HMC
- ④ Han<sup>®</sup> 108 DD HMC

## Technical characteristics

Contacts	24, 42, 72, 108
Electrical data acc. to IEC 61984	<b>10 A 250 V 4 kV 3</b>
Rated current	10 A
Rated voltage	250 V
Rated impulse voltage	4 kV
Pollution degree	3
Insulation resistance	≥10 <sup>10</sup> Ohm
Limiting temperatures	-40 °C ... 125 °C
Flammability (insert) acc. to UL 94	V 0
Mating cycles with HMC contacts	≥10000
Material (insert)	polycarbonate
Colour (insert)	RAL 7032 (light grey)

## Specifications and approvals

IEC 60664-1  
IEC 61984



Number of contacts

24+

250 V  
10 A

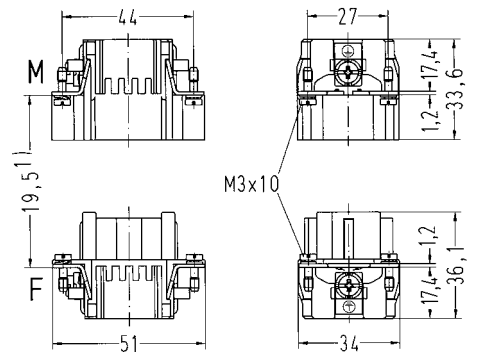
Identification	Part number		Drawing Dimensions in mm
	male	female	

Han DD® HMC,  
Crimp terminal

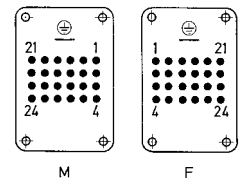


Please order crimp contacts separately.  
Only with Han® Docking frame.

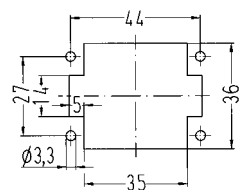
09 16 224 3001    09 16 224 3101



1) Distance for contact max. 21 mm



Contact arrangement (view from termination side)




Panel cut out for inserts for use without hoods/housings



Number of contacts

# 42+



250 V  
10 A

Identification	Part number		Drawing Dimensions in mm
	male	female	

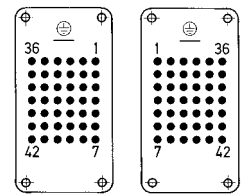
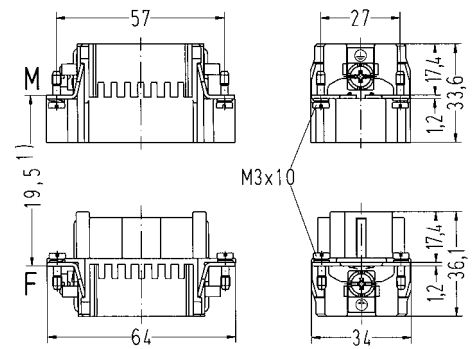
Han DD<sup>®</sup> HMC,  
Crimp terminal



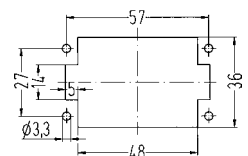
Please order crimp contacts separately.

09 16 242 3001

09 16 242 3101



Contact arrangement (view from termination side)



Panel cut out for inserts for use without hoods/housings



Number of contacts

72+

250 V  
10 A

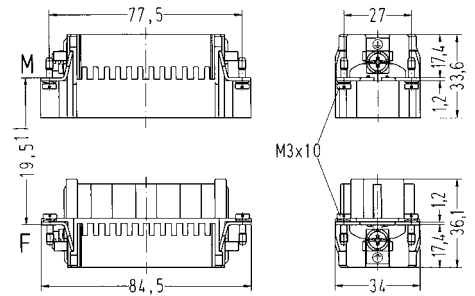
Identification	Part number		Drawing Dimensions in mm
	male	female	

Han DD® HMC,  
Crimp terminal

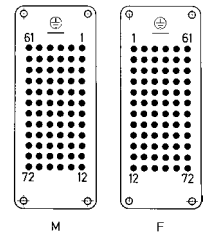


Please order crimp contacts separately.

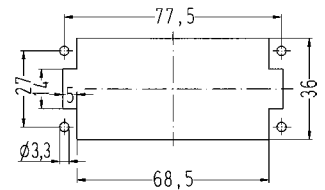
09 16 272 3001    09 16 272 3101



1) Distance for contact max. 21 mm



Contact arrangement (view from termination side)


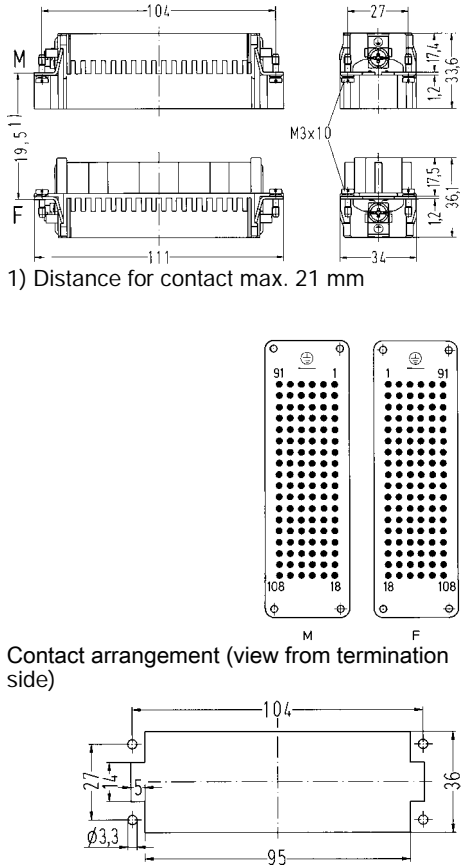
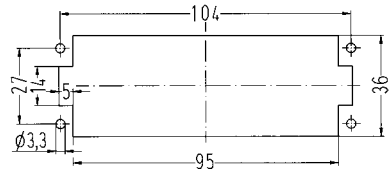


Panel cut out for inserts for use without hoods/housings

Number of contacts

108+

250 V  
10 A

Identification	Part number		Drawing Dimensions in mm
	male	female	
<p>Han DD<sup>®</sup> HMC, Crimp terminal</p>  <p>Please order crimp contacts separately.</p>	<p>09 16 208 3001</p>	<p>09 16 208 3101</p>	 <p>1) Distance for contact max. 21 mm</p> <p>Contact arrangement (view from termination side)</p>  <p>Panel cut out for inserts for use without hoods/housings</p>

Han  
HMC

## Technical characteristics

Material (contact) copper alloy

## Specifications and approvals

IEC 60664-1  
IEC 61984

## Details


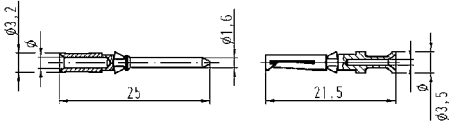

**Crimping tools** see chapter 90

### Remarks on the crimp technique

The wire gauges mentioned in the catalogue refer to geometric wire gauges of cables.

### Coding pin

Use of the coding pin prevents incorrect mating to other connectors of the same type. The male pin should be omitted from the opposing cavity in the male insert.

Identification	Wire cross section (mm <sup>2</sup> )	Part number		Drawing Dimensions in mm																					
		male	female																						
Han D® HMC, Crimp contact, HMC gold plated contacts, contact resistance ≤3 mOhm  	0.14 – 0.37	09 15 200 6124	09 15 200 6224	 <table border="1"> <thead> <tr> <th>Wire gauge</th> <th>Ø</th> <th>Stripping length</th> </tr> </thead> <tbody> <tr> <td>0.14-0.37 mm<sup>2</sup> AWG 26-22</td> <td>0.9 mm</td> <td>8 mm</td> </tr> <tr> <td>0.5 mm<sup>2</sup> AWG 20</td> <td>1.1 mm</td> <td>8 mm</td> </tr> <tr> <td>0.75 mm<sup>2</sup> AWG 18</td> <td>1.3 mm</td> <td>8 mm</td> </tr> <tr> <td>1 mm<sup>2</sup> AWG 18</td> <td>1.45 mm</td> <td>8 mm</td> </tr> <tr> <td>1.5 mm<sup>2</sup> AWG 16</td> <td>1.75 mm</td> <td>8 mm</td> </tr> <tr> <td>2.5 mm<sup>2</sup> AWG 14</td> <td>2.25 mm</td> <td>6 mm</td> </tr> </tbody> </table>	Wire gauge	Ø	Stripping length	0.14-0.37 mm <sup>2</sup> AWG 26-22	0.9 mm	8 mm	0.5 mm <sup>2</sup> AWG 20	1.1 mm	8 mm	0.75 mm <sup>2</sup> AWG 18	1.3 mm	8 mm	1 mm <sup>2</sup> AWG 18	1.45 mm	8 mm	1.5 mm <sup>2</sup> AWG 16	1.75 mm	8 mm	2.5 mm <sup>2</sup> AWG 14	2.25 mm	6 mm
	Wire gauge	Ø	Stripping length																						
	0.14-0.37 mm <sup>2</sup> AWG 26-22	0.9 mm	8 mm																						
	0.5 mm <sup>2</sup> AWG 20	1.1 mm	8 mm																						
	0.75 mm <sup>2</sup> AWG 18	1.3 mm	8 mm																						
	1 mm <sup>2</sup> AWG 18	1.45 mm	8 mm																						
1.5 mm <sup>2</sup> AWG 16	1.75 mm	8 mm																							
2.5 mm <sup>2</sup> AWG 14	2.25 mm	6 mm																							
0.5	09 15 200 6123	09 15 200 6223																							
0.75	09 15 200 6125	09 15 200 6225																							
1	09 15 200 6122	09 15 200 6222																							
1.5	09 15 200 6121	09 15 200 6221																							
2.5	09 15 200 6126	09 15 200 6226																							
Han D®, Han DD®, Coding pin, plastic   only for crimp termination with loss of one contact			09 33 000 9915																						

## Features

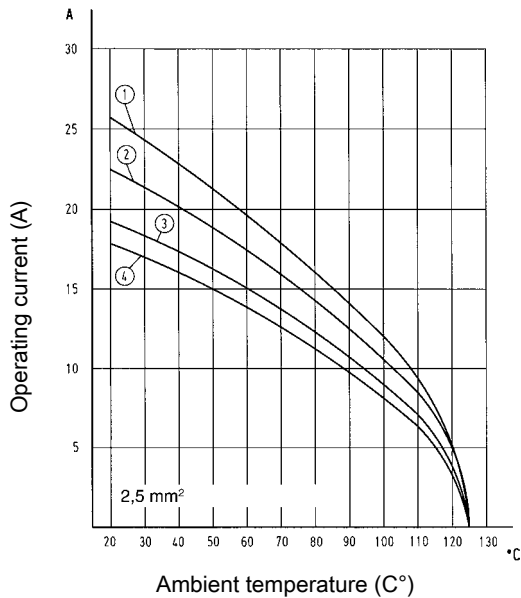
- Time saving rapid termination by use of crimping contacts
- Suitable for hoods/housings of series Han<sup>®</sup> B HMC
- Contacts available with special HMC gold plating for 10,000 mating cycles

## Derating

### Current carrying capacity

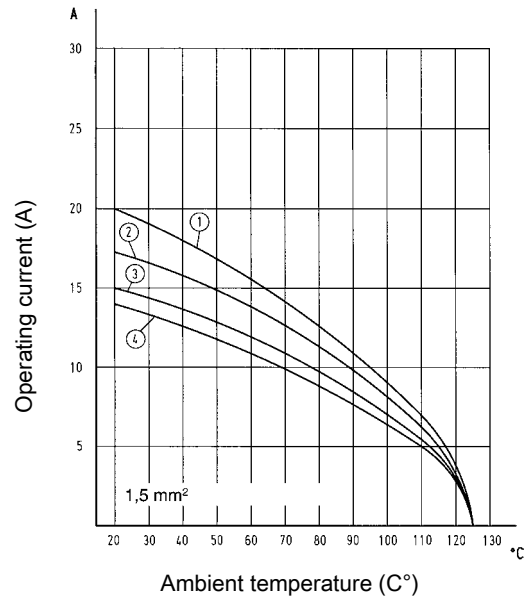
The current carrying capacity of the connectors is limited by the thermal load capability of the contact element material including the connections and the insulating parts. The derating curve is therefore valid for currents which flow constantly (non-intermittent) through each contact element of the connector evenly, without exceeding the allowed maximum temperature.

Measuring and testing techniques acc. to IEC 60512-5-2



- ① Han<sup>®</sup> 6 E HMC
- ② Han<sup>®</sup> 10 E HMC
- ③ Han<sup>®</sup> 16 E HMC
- ④ Han<sup>®</sup> 24 E HMC

## Derating



- ① Han<sup>®</sup> 6 E HMC
- ② Han<sup>®</sup> 10 E HMC
- ③ Han<sup>®</sup> 16 E HMC
- ④ Han<sup>®</sup> 24 E HMC

## Technical characteristics

Contacts	6, 10, 16, 24
Electrical data acc. to IEC 61984	<b>16 A 500 V 6 kV 3</b>
Rated current	16 A
Rated voltage	500 V
Rated impulse voltage	6 kV
Pollution degree	3
Insulation resistance	≥10 <sup>10</sup> Ohm
Limiting temperatures	-40 °C ... 125 °C
Flammability (insert) acc. to UL 94	V 0
Mating cycles with HMC contacts	≥10000
Material (insert)	polycarbonate
Colour (insert)	RAL 7032 (light grey)

## Specifications and approvals


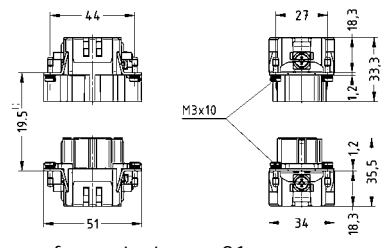
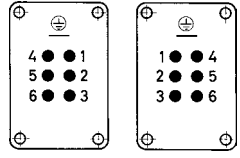
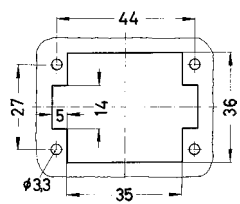
IEC 60664-1  
IEC 61984



Number of contacts

**6+**


500 V  
16 A

Identification	Part number		Drawing Dimensions in mm
	male	female	
<p>Han E<sup>®</sup> HMC, Crimp terminal</p>  <p>Please order crimp contacts separately. Only with Han<sup>®</sup> Docking frame.</p>	<p>09 33 206 2602</p>	<p>09 33 206 2702</p>	 <p>1) Distance for contact max. 21 mm</p>  <p> <span style="margin-right: 40px;">M</span> <span>F</span> </p> <p>Contact arrangement (view from termination side)</p>  <p>Panel cut out</p>

Han  
HMC

Number of contacts

# 10+



500 V  
16 A

Identification	Part number		Drawing Dimensions in mm
	male	female	

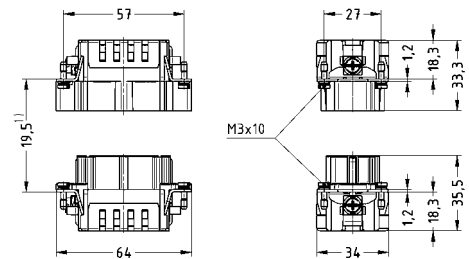
Han E<sup>®</sup> HMC,  
Crimp terminal



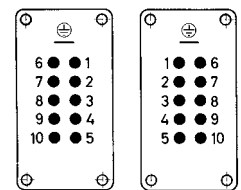
Please order crimp contacts separately.

09 33 210 2602

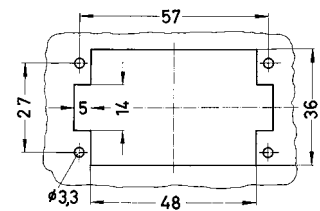
09 33 210 2702



1) Distance for contact max. 21 mm



Contact arrangement (view from termination side)



Panel cut out

Han  
HMC

Number of contacts

16+

500 V  
16 A

Identification	Part number		Drawing Dimensions in mm
	male	female	

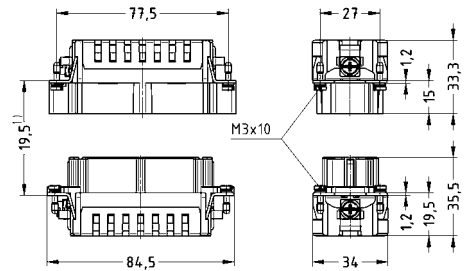
Han E® HMC,  
Crimp terminal



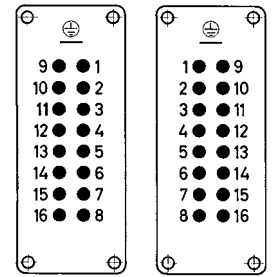
Please order crimp contacts separately.

09 33 216 2602

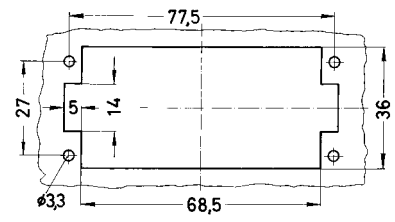
09 33 216 2702



1) Distance for contact max. 21 mm



Contact arrangement (view from termination side)



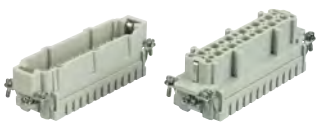
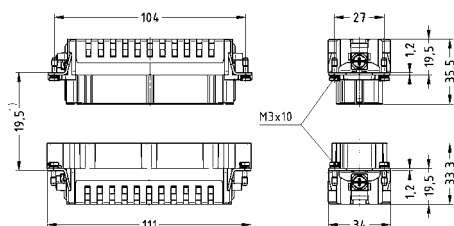
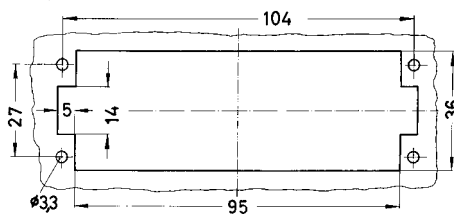
Panel cut out

Han  
HMC

Number of contacts

# 24+

500 V  
16 A

Identification	Part number		Drawing																																																								
	male	female	Dimensions in mm																																																								
<p>Han E<sup>®</sup> HMC, Crimp terminal</p>  <p>Please order crimp contacts separately.</p>	<p>09 33 224 2602</p>	<p>09 33 224 2702</p>	 <p>1) Distance for contact max. 21 mm</p> <div style="display: flex; justify-content: space-around; align-items: center;"> <table border="1" style="font-size: 8px; text-align: center;"> <tr><td>⊕</td><td>⊖</td></tr> <tr><td>13 ● 1</td><td>1 ● 13</td></tr> <tr><td>14 ● 2</td><td>2 ● 14</td></tr> <tr><td>15 ● 3</td><td>3 ● 15</td></tr> <tr><td>16 ● 4</td><td>4 ● 16</td></tr> <tr><td>17 ● 5</td><td>5 ● 17</td></tr> <tr><td>18 ● 6</td><td>6 ● 18</td></tr> <tr><td>19 ● 7</td><td>7 ● 19</td></tr> <tr><td>20 ● 8</td><td>8 ● 20</td></tr> <tr><td>21 ● 9</td><td>9 ● 21</td></tr> <tr><td>22 ● 10</td><td>10 ● 22</td></tr> <tr><td>23 ● 11</td><td>11 ● 23</td></tr> <tr><td>24 ● 12</td><td>12 ● 24</td></tr> <tr><td>⊖</td><td>⊕</td></tr> </table> <table border="1" style="font-size: 8px; text-align: center;"> <tr><td>⊕</td><td>⊖</td></tr> <tr><td>1 ● 13</td><td>13 ● 1</td></tr> <tr><td>2 ● 14</td><td>14 ● 2</td></tr> <tr><td>3 ● 15</td><td>15 ● 3</td></tr> <tr><td>4 ● 16</td><td>16 ● 4</td></tr> <tr><td>5 ● 17</td><td>17 ● 5</td></tr> <tr><td>6 ● 18</td><td>18 ● 6</td></tr> <tr><td>7 ● 19</td><td>19 ● 7</td></tr> <tr><td>8 ● 20</td><td>20 ● 8</td></tr> <tr><td>9 ● 21</td><td>21 ● 9</td></tr> <tr><td>10 ● 22</td><td>22 ● 10</td></tr> <tr><td>11 ● 23</td><td>23 ● 11</td></tr> <tr><td>12 ● 24</td><td>24 ● 12</td></tr> <tr><td>⊖</td><td>⊕</td></tr> </table> </div> <p style="text-align: center; margin-top: 10px;">Contact arrangement (view from termination side)</p>  <p>Panel cut out</p>	⊕	⊖	13 ● 1	1 ● 13	14 ● 2	2 ● 14	15 ● 3	3 ● 15	16 ● 4	4 ● 16	17 ● 5	5 ● 17	18 ● 6	6 ● 18	19 ● 7	7 ● 19	20 ● 8	8 ● 20	21 ● 9	9 ● 21	22 ● 10	10 ● 22	23 ● 11	11 ● 23	24 ● 12	12 ● 24	⊖	⊕	⊕	⊖	1 ● 13	13 ● 1	2 ● 14	14 ● 2	3 ● 15	15 ● 3	4 ● 16	16 ● 4	5 ● 17	17 ● 5	6 ● 18	18 ● 6	7 ● 19	19 ● 7	8 ● 20	20 ● 8	9 ● 21	21 ● 9	10 ● 22	22 ● 10	11 ● 23	23 ● 11	12 ● 24	24 ● 12	⊖	⊕
⊕	⊖																																																										
13 ● 1	1 ● 13																																																										
14 ● 2	2 ● 14																																																										
15 ● 3	3 ● 15																																																										
16 ● 4	4 ● 16																																																										
17 ● 5	5 ● 17																																																										
18 ● 6	6 ● 18																																																										
19 ● 7	7 ● 19																																																										
20 ● 8	8 ● 20																																																										
21 ● 9	9 ● 21																																																										
22 ● 10	10 ● 22																																																										
23 ● 11	11 ● 23																																																										
24 ● 12	12 ● 24																																																										
⊖	⊕																																																										
⊕	⊖																																																										
1 ● 13	13 ● 1																																																										
2 ● 14	14 ● 2																																																										
3 ● 15	15 ● 3																																																										
4 ● 16	16 ● 4																																																										
5 ● 17	17 ● 5																																																										
6 ● 18	18 ● 6																																																										
7 ● 19	19 ● 7																																																										
8 ● 20	20 ● 8																																																										
9 ● 21	21 ● 9																																																										
10 ● 22	22 ● 10																																																										
11 ● 23	23 ● 11																																																										
12 ● 24	24 ● 12																																																										
⊖	⊕																																																										

Han HMC



## Features

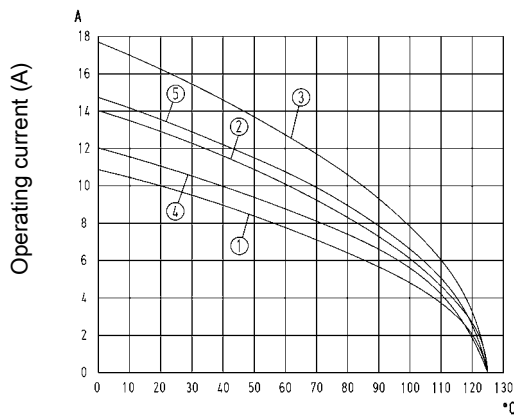
- Time saving rapid termination by use of crimping contacts
- Coded insert
- Suitable for hoods/housings of series Han® B HMC
- Contacts available with special HMC gold plating for 10,000 mating cycles

## Derating

### Current carrying capacity

The current carrying capacity of the connectors is limited by the thermal load capability of the contact element material including the connections and the insulating parts. The derating curve is therefore valid for currents which flow constantly (non-intermittent) through each contact element of the connector evenly, without exceeding the allowed maximum temperature.

Measuring and testing techniques acc. to IEC 60512-5-2



Ambient temperature (C°)

- ① Han® 64 EEE HMC 1.5 mm<sup>2</sup>
- ② Han® 64 EEE HMC 2.5 mm<sup>2</sup>
- ③ Han® 64 EEE HMC 4 mm<sup>2</sup>
- ④ Han® 40 EEE HMC 1.5 mm<sup>2</sup>
- ⑤ Han® 40 EEE HMC 2.5 mm<sup>2</sup>

## Technical characteristics

Contacts	40, 64
Electrical data acc. to IEC 61984	<b>16 A 500 V 6 kV 3</b>
Rated current	16 A
Rated voltage	500 V
Rated impulse voltage	6 kV
Pollution degree	3
Insulation resistance	≥10 <sup>10</sup> Ohm
Limiting temperatures	-40 °C ... 125 °C
Flammability (insert) acc. to UL 94	V 0
Mating cycles with HMC contacts	≥10000
Material (insert)	polycarbonate
Colour (insert)	RAL 7032 (light grey)

## Specifications and approvals

IEC 60664-1  
IEC 61984

Number of contacts

40+

500 V  
16 A

Identification	Part number		Drawing Dimensions in mm
	male	female	

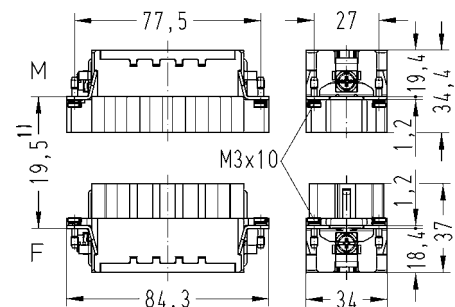
Han® EEE HMC,  
Crimp terminal



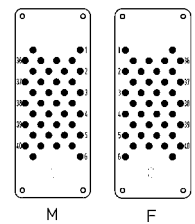
Please order crimp contacts separately.

09 32 240 3001

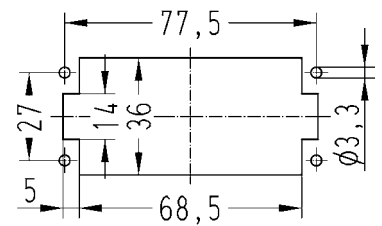
09 32 240 3101



1) Distance for contact max. 21 mm



Contact arrangement (view from termination side)



Panel cut out

Number of contacts

64+

500 V  
16 A

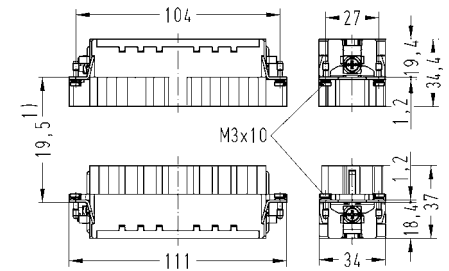
Identification	Part number		Drawing Dimensions in mm
	male	female	

Han® EEE HMC,  
Crimp terminal

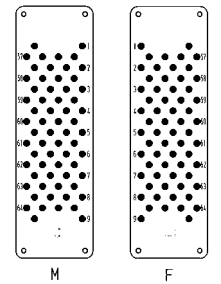


Please order crimp contacts separately.

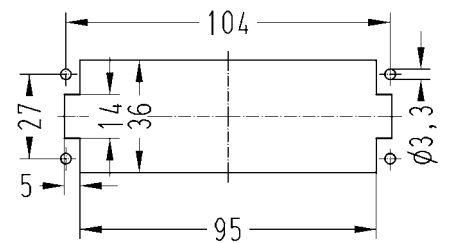
09 32 264 3001 09 32 264 3101



1) Distance for contact max. 21 mm



Contact arrangement (view from termination side)



Panel cut out



## Technical characteristics

Material (contact) copper alloy

## Specifications and approvals

IEC 60664-1  
IEC 61984

## Details

**Crimping tools** see chapter 90

### Remarks on the crimp technique

The wire gauges mentioned in the catalogue refer to geometric wire gauges of cables.

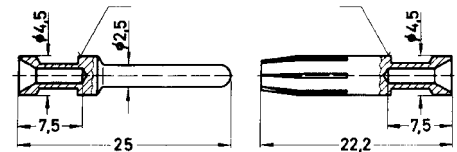
### Coding pin

Use of the coding pin prevents incorrect mating to other connectors of the same type. The male pin should be omitted from the opposing cavity in the male insert.

Identification	Wire cross section (mm <sup>2</sup> )	Part number	
		male	female
Han E <sup>®</sup> HMC, Crimp contact, HMC gold plated contacts, contact resistance ≤1 mOhm	0.14–0.37	09 33 200 6117	09 33 200 6217
	0.5	09 33 200 6122	09 33 200 6222
	0.75	09 33 200 6115	09 33 200 6215
	1	09 33 200 6118	09 33 200 6218
	1.5	09 33 200 6116	09 33 200 6216
	2.5	09 33 200 6123	09 33 200 6223
	4	09 33 200 6119	09 33 200 6221

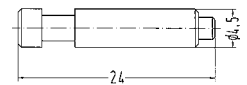


Drawing  
Dimensions in mm



Identification	Wire gauge	Stripping length
no groove	0.14–0.37 mm <sup>2</sup> AWG 26–22	7.5 mm
no groove	0.5 mm <sup>2</sup> AWG 20	7.5 mm
1 groove*	0.75 mm <sup>2</sup> AWG 18	7.5 mm
1 groove	1 mm <sup>2</sup> AWG 18	7.5 mm
2 grooves	1.5 mm <sup>2</sup> AWG 18	7.5 mm
3 grooves	2.5 mm <sup>2</sup> AWG 14	7.5 mm
wide groove	3 mm <sup>2</sup> AWG 12	7.5 mm
no groove	4 mm <sup>2</sup> AWG 12	7.5 mm

\* on the back crimp collar



Han E <sup>®</sup> , Han <sup>®</sup> EE, Han <sup>®</sup> EEE, Coding pin, plastic	09 33 000 9954
for crimp inserts only	



Han  
HMC

## Features

- Pre-leading grounding system according VDE
- Modules can only be assembled polarized
- Alphabetical marking of module position
- High mechanical reliability of modules in case of vibration and impact stress
- No tools necessary to remove modules
- Hinged frames can be used either in hood or housing

## Technical characteristics

Limiting temperatures	-40 °C ... 125 °C
Mating cycles with HMC connectors	≥10000
Material (hoods/housings)	zinc die-cast

## Specifications and approvals

IEC 60664-1  
IEC 61984



## Details

Both different markings must be used for one connector!

**Locking element** 09 14 000 9960 see accessories in chapter 06

Wire gauge PE (power side) 4 ... 10 mm<sup>2</sup>

10 mm<sup>2</sup> only with ferrule crimp tool 09 99 000 0374 (see chapter 90)

Wire gauge PE (signal side) 1 ... 2.5 mm<sup>2</sup>



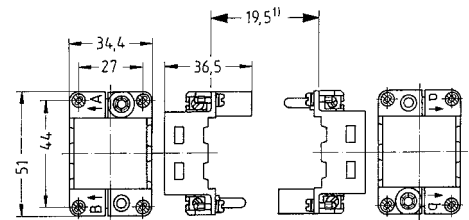
**Identification**

**Part number**

**Drawing  
Dimensions in mm**

Han-Modular®,  
Hinged frame HMC,  
for 2 modules,  
A ... B

09 14 206 0303



1) Distance max. 20.5 mm

Only with Han® Docking frame.

Han-Modular®,  
Hinged frame HMC,  
for 2 modules,  
a ... b

09 14 206 0313



Only with Han® Docking frame.



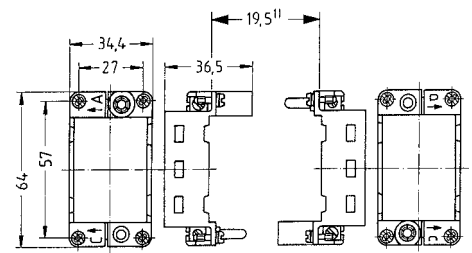
Identification

Part number

Drawing  
Dimensions in mm

Han-Modular®,  
Hinged frame HMC,  
for 3 modules,  
A ... C

09 14 210 0303



1) Distance max. 20.5 mm

Han-Modular®,  
Hinged frame HMC,  
for 3 modules,  
a ... c

09 14 210 0313



Han  
HMC



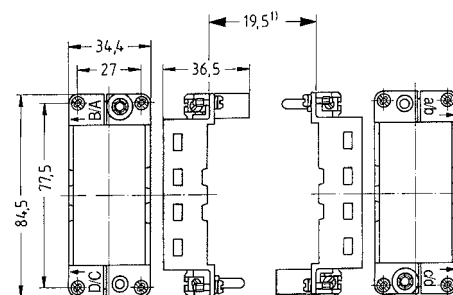
Identification

Part number

Drawing  
Dimensions in mm

Han-Modular®,  
Hinged frame HMC,  
for 4 modules,  
A ... D

09 14 216 0303



1) Distance max. 20.5 mm


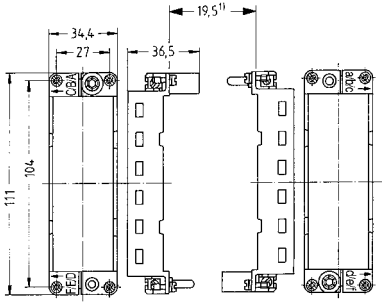

Han-Modular®,  
Hinged frame HMC,  
for 4 modules,  
a ... d

09 14 216 0313







Identification	Part number	Drawing Dimensions in mm
<p>Han-Modular®, Hinged frame HMC, for 6 modules, A ... F</p> 	<p>09 14 224 0303</p>	 <p>1) Distance max. 20.5 mm</p>
<p>Han-Modular®, Hinged frame HMC, for 6 modules, a ... f</p> 	<p>09 14 224 0313</p>	

## Features

- Blind mating connector system for drawer systems
- Direct panel mounting without housing
- Very robust design
- Solid pre-leading guide pins and float bushes
- Can be fixed with standard M4 screws
- Suitable for Han-Modular® modules

## Technical characteristics


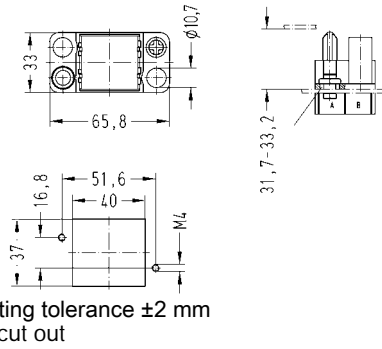

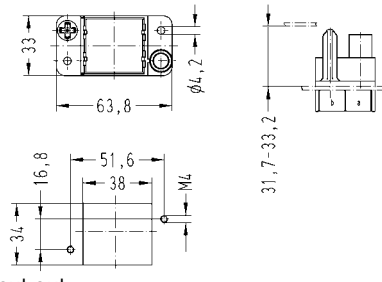

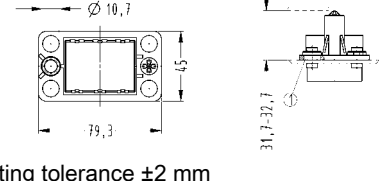

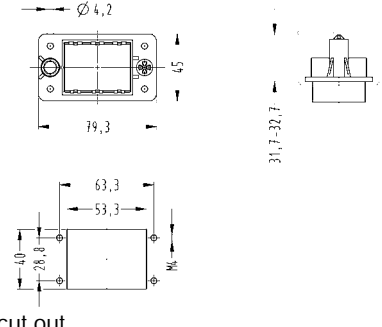
Limiting temperatures	-40 °C ... 125 °C
Flammability (hoods/housings) acc. to UL 94	V 0
Mating cycles	≥500
Mating cycles with HMC connectors	≥10000
Degree of protection acc. to IEC 60529	IP20
Material (accessories)	polycarbonate
Tolerance	±2 mm
Lock-in range	±4 mm

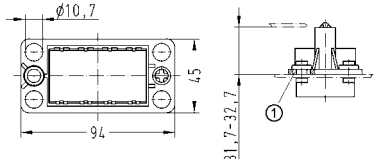
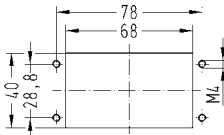
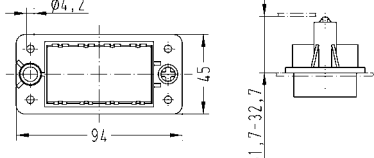
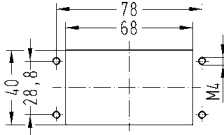
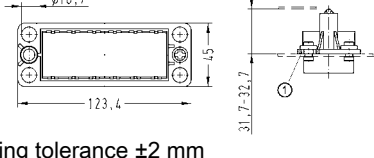
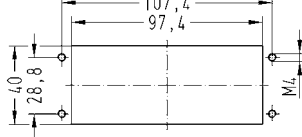
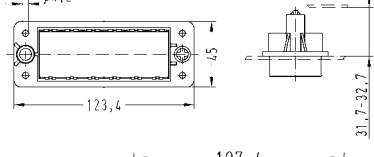
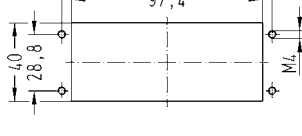
## Specifications and approvals

IEC 60664-1  
IEC 61984


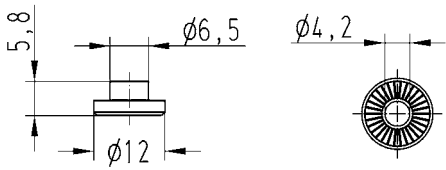
## Details

Due the plastic material used in the docking frame without PE, the panel will need to be grounded separately.

Identification	Part number	Drawing Dimensions in mm
Han-Modular®, Docking frame, float mount, for 2 modules, A ... B	09 14 006 1701	  <p>① floating tolerance <math>\pm 2</math> mm Panel cut out</p>
Han-Modular®, Docking frame, fixed, for 2 modules, a ... b	09 14 006 1711	  <p>Panel cut out</p>
Han-Modular®, Docking frame, float mount, for 3 modules, A ... C	09 14 010 1701	  <p>① floating tolerance <math>\pm 2</math> mm</p>
Han-Modular®, Docking frame, fixed, for 3 modules, a ... c	09 14 010 1711	  <p>Panel cut out</p>

Identification	Part number	Drawing Dimensions in mm
Han-Modular®, Docking frame, float mount, for 4 modules, A ... D	09 14 016 1701	 <p>① floating tolerance <math>\pm 2</math> mm</p>  <p>Panel cut out</p>
Han-Modular®, Docking frame, fixed, for 4 modules, a ... d	09 14 016 1711	 <p>① floating tolerance <math>\pm 2</math> mm</p>  <p>Panel cut out</p>
Han-Modular®, Docking frame, float mount, for 6 modules, A ... F	09 14 024 1701	 <p>① floating tolerance <math>\pm 2</math> mm</p>  <p>Panel cut out</p>
Han-Modular®, Docking frame, fixed, for 6 modules, a ... f	09 14 024 1711	 <p>① floating tolerance <math>\pm 2</math> mm</p>  <p>Panel cut out</p>

Han  
HMC

Identification	Part number	Drawing Dimensions in mm
<p>Han-Modular®, Float washer, zinc die-cast</p>  <p>to enable the frame to be float mounted using standard M4 fixing screws</p>	<p>09 14 000 9936</p>	

## Features

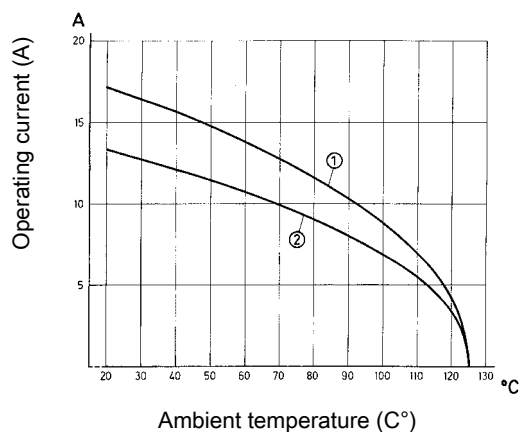
- Standard module for power up to 16 A

## Derating

### Current carrying capacity

The current carrying capacity of the connectors is limited by the thermal load capability of the contact element material including the connections and the insulating parts. The derating curve is therefore valid for currents which flow constantly (non-intermittent) through each contact element of the connector evenly, without exceeding the allowed maximum temperature.

Measuring and testing techniques acc. to IEC 60512-5-2



- ① 24 B hoods/housings with 6 modules Wire cross section 2.5 mm<sup>2</sup>  
 ② 24 B hoods/housings with 6 modules Wire cross section 1.5 mm<sup>2</sup>

## Technical characteristics

Contacts	6
Electrical data acc. to IEC 61984	<b>16 A 500 V 6 kV 3</b>
Rated current	16 A
Rated voltage	500 V
Rated impulse voltage	6 kV
Pollution degree	3
Rated voltage acc. to UL	600 V
Insulation resistance	≥10 <sup>10</sup> Ohm
Limiting temperatures	-40 °C ... 125 °C
Flammability (insert) acc. to UL 94	V 0
Mating cycles	≥500
Mating cycles with HMC contacts	≥10000
Material (insert)	polycarbonate
Colour (insert)	RAL 7032 (light grey)
Material (contact)	copper alloy

## Specifications and approvals

IEC 60664-1  
IEC 61984



## Details

**Crimping tools** see chapter 90

### Remarks on the crimp technique


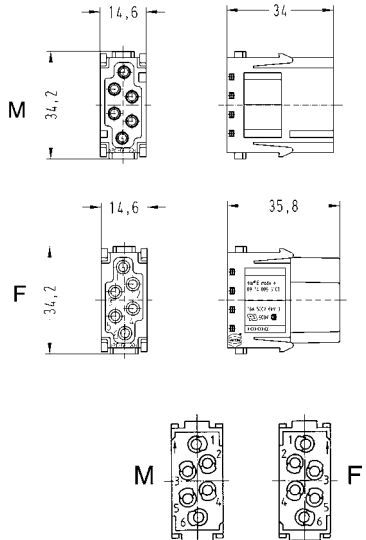

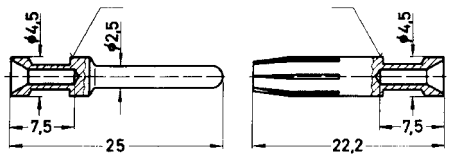
The wire gauges mentioned in the catalogue refer to geometric wire gauges of cables.

Designed for 10,000 mating cycles (only with Han E® HMC crimp contacts, Han-Modular® Docking frame and Han-Modular® Hinged frame HMC)

Number of contacts

6+

500 V  
16 A

Identification	Wire cross section (mm <sup>2</sup> )	Part number		Drawing Dimensions in mm																											
		male	female																												
Han-Modular <sup>®</sup> , Han E <sup>®</sup> module, Crimp terminal    Please order crimp contacts separately.		09 14 006 3001	09 14 006 3101	  Contact arrangement (view from termination side)																											
Han E <sup>®</sup> HMC, Crimp contact, HMC gold plated contacts, contact resistance ≤1 mOhm  	0.14–0.37 0.5 0.75 1 1.5 2.5 4	09 33 200 6117 09 33 200 6122 09 33 200 6115 09 33 200 6118 09 33 200 6116 09 33 200 6123 09 33 200 6119	09 33 200 6217 09 33 200 6222 09 33 200 6215 09 33 200 6218 09 33 200 6216 09 33 200 6223 09 33 200 6221	  <table border="1"> <thead> <tr> <th>Identification</th> <th>Wire gauge</th> <th>Stripping length</th> </tr> </thead> <tbody> <tr> <td>no groove</td> <td>0.14-0.37 mm<sup>2</sup> AWG 26-22</td> <td>7.5 mm</td> </tr> <tr> <td>no groove</td> <td>0.5 mm<sup>2</sup> AWG 20</td> <td>7.5 mm</td> </tr> <tr> <td>1 groove*</td> <td>0.75 mm<sup>2</sup> AWG 18</td> <td>7.5 mm</td> </tr> <tr> <td>1 groove</td> <td>1 mm<sup>2</sup> AWG 18</td> <td>7.5 mm</td> </tr> <tr> <td>2 grooves</td> <td>1.5 mm<sup>2</sup> AWG 16</td> <td>7.5 mm</td> </tr> <tr> <td>3 grooves</td> <td>2.5 mm<sup>2</sup> AWG 14</td> <td>7.5 mm</td> </tr> <tr> <td>wide groove</td> <td>3 mm<sup>2</sup> AWG 12</td> <td>7.5 mm</td> </tr> <tr> <td>no groove</td> <td>4 mm<sup>2</sup> AWG 12</td> <td>7.5 mm</td> </tr> </tbody> </table> <p>* on the back crimp collar</p>	Identification	Wire gauge	Stripping length	no groove	0.14-0.37 mm <sup>2</sup> AWG 26-22	7.5 mm	no groove	0.5 mm <sup>2</sup> AWG 20	7.5 mm	1 groove*	0.75 mm <sup>2</sup> AWG 18	7.5 mm	1 groove	1 mm <sup>2</sup> AWG 18	7.5 mm	2 grooves	1.5 mm <sup>2</sup> AWG 16	7.5 mm	3 grooves	2.5 mm <sup>2</sup> AWG 14	7.5 mm	wide groove	3 mm <sup>2</sup> AWG 12	7.5 mm	no groove	4 mm <sup>2</sup> AWG 12	7.5 mm
Identification	Wire gauge	Stripping length																													
no groove	0.14-0.37 mm <sup>2</sup> AWG 26-22	7.5 mm																													
no groove	0.5 mm <sup>2</sup> AWG 20	7.5 mm																													
1 groove*	0.75 mm <sup>2</sup> AWG 18	7.5 mm																													
1 groove	1 mm <sup>2</sup> AWG 18	7.5 mm																													
2 grooves	1.5 mm <sup>2</sup> AWG 16	7.5 mm																													
3 grooves	2.5 mm <sup>2</sup> AWG 14	7.5 mm																													
wide groove	3 mm <sup>2</sup> AWG 12	7.5 mm																													
no groove	4 mm <sup>2</sup> AWG 12	7.5 mm																													

Han HMC

## Features

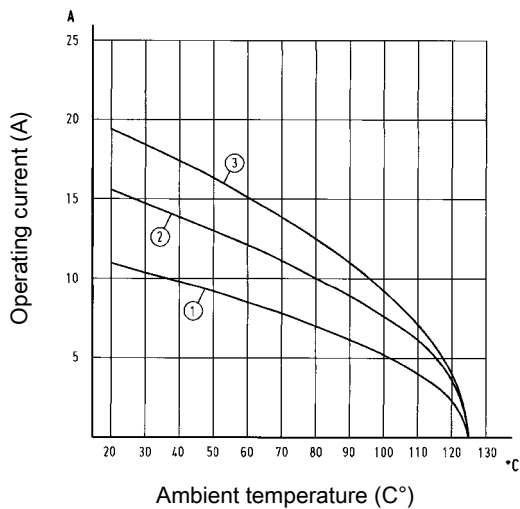
- Suitable for Han E<sup>®</sup> crimp contacts
- Designed for a high working voltage up to 830 V
- Finger safe male and female contacts

## Derating

### Current carrying capacity

The current carrying capacity of the connectors is limited by the thermal load capability of the contact element material including the connections and the insulating parts. The derating curve is therefore valid for currents which flow constantly (non-intermittent) through each contact element of the connector evenly, without exceeding the allowed maximum temperature.

Measuring and testing techniques acc. to IEC 60512-5-2



- ① 24 B hoods/housings with 6 modules Wire cross section 1.5 mm<sup>2</sup>
- ② 24 B hoods/housings with 6 modules Wire cross section 2.5 mm<sup>2</sup>
- ③ 24 B hoods/housings with 6 modules Wire cross section 4 mm<sup>2</sup>

## Technical characteristics

Contacts	6
Electrical data acc. to IEC 61984	<b>16 A 830 V 8 kV 3</b>
Rated current	16 A
Rated voltage	830 V
Rated impulse voltage	8 kV
Pollution degree	3
Rated voltage acc. to UL	600 V
Insulation resistance	≥10 <sup>10</sup> Ohm
Limiting temperatures	-40 °C ... 125 °C
Flammability (insert) acc. to UL 94	V 0
Mating cycles	≥500
Mating cycles with HMC contacts	≥10000
Material (insert)	polycarbonate
Colour (insert)	RAL 7032 (light grey)
Material (contact)	copper alloy

## Specifications and approvals

IEC 60664-1  
IEC 61984



## Details

**Crimping tools** see chapter 90

### Remarks on the crimp technique

The wire gauges mentioned in the catalogue refer to geometric wire gauges of cables.


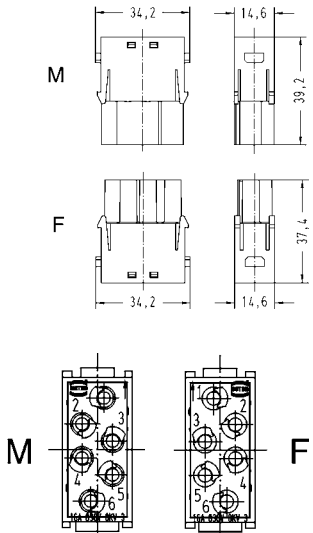

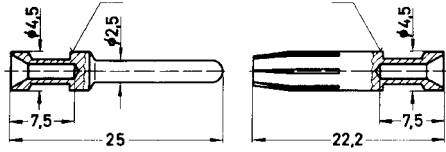
Designed for 10,000 mating cycles (only with Han E<sup>®</sup> HMC crimp contacts, Han-Modular<sup>®</sup> Docking frame and Han-Modular<sup>®</sup> Hinged frame HMC)



Number of contacts

# 6

830 V  
16 A

Identification	Wire cross section (mm <sup>2</sup> )	Part number		Drawing Dimensions in mm																											
		male	female																												
Han-Modular®, Han E® Protected module, Crimp terminal   <p>Please order crimp contacts separately.</p>		09 14 006 3041	09 14 006 3141	 <p>Contact arrangement (view from termination side)</p>																											
Han E® HMC, Crimp contact, HMC gold plated contacts, contact resistance ≤1 mOhm  	0.14–0.37 0.5 0.75 1 1.5 2.5 4	09 33 200 6117 09 33 200 6122 09 33 200 6115 09 33 200 6118 09 33 200 6116 09 33 200 6123 09 33 200 6119	09 33 200 6217 09 33 200 6222 09 33 200 6215 09 33 200 6218 09 33 200 6216 09 33 200 6223 09 33 200 6221	 <table border="1"> <thead> <tr> <th>Identification</th> <th>Wire gauge</th> <th>Stripping length</th> </tr> </thead> <tbody> <tr> <td>no groove</td> <td>0.14-0.37 mm<sup>2</sup> AWG 26-22</td> <td>7.5 mm</td> </tr> <tr> <td>no groove</td> <td>0.5 mm<sup>2</sup> AWG 20</td> <td>7.5 mm</td> </tr> <tr> <td>1 groove*</td> <td>0.75 mm<sup>2</sup> AWG 18</td> <td>7.5 mm</td> </tr> <tr> <td>1 groove</td> <td>1 mm<sup>2</sup> AWG 18</td> <td>7.5 mm</td> </tr> <tr> <td>2 grooves</td> <td>1.5 mm<sup>2</sup> AWG 16</td> <td>7.5 mm</td> </tr> <tr> <td>3 grooves</td> <td>2.5 mm<sup>2</sup> AWG 14</td> <td>7.5 mm</td> </tr> <tr> <td>wide groove</td> <td>3 mm<sup>2</sup> AWG 12</td> <td>7.5 mm</td> </tr> <tr> <td>no groove</td> <td>4 mm<sup>2</sup> AWG 12</td> <td>7.5 mm</td> </tr> </tbody> </table> <p>* on the back crimp collar</p>	Identification	Wire gauge	Stripping length	no groove	0.14-0.37 mm <sup>2</sup> AWG 26-22	7.5 mm	no groove	0.5 mm <sup>2</sup> AWG 20	7.5 mm	1 groove*	0.75 mm <sup>2</sup> AWG 18	7.5 mm	1 groove	1 mm <sup>2</sup> AWG 18	7.5 mm	2 grooves	1.5 mm <sup>2</sup> AWG 16	7.5 mm	3 grooves	2.5 mm <sup>2</sup> AWG 14	7.5 mm	wide groove	3 mm <sup>2</sup> AWG 12	7.5 mm	no groove	4 mm <sup>2</sup> AWG 12	7.5 mm
Identification	Wire gauge	Stripping length																													
no groove	0.14-0.37 mm <sup>2</sup> AWG 26-22	7.5 mm																													
no groove	0.5 mm <sup>2</sup> AWG 20	7.5 mm																													
1 groove*	0.75 mm <sup>2</sup> AWG 18	7.5 mm																													
1 groove	1 mm <sup>2</sup> AWG 18	7.5 mm																													
2 grooves	1.5 mm <sup>2</sup> AWG 16	7.5 mm																													
3 grooves	2.5 mm <sup>2</sup> AWG 14	7.5 mm																													
wide groove	3 mm <sup>2</sup> AWG 12	7.5 mm																													
no groove	4 mm <sup>2</sup> AWG 12	7.5 mm																													

Han HMC

## Features

- High contact density

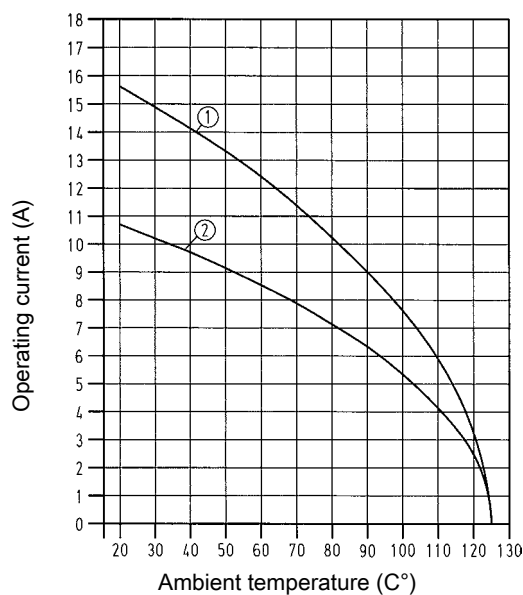
## Derating

### Current carrying capacity

The current carrying capacity of the connectors is limited by the thermal load capability of the contact element material including the connections and the insulating parts. The derating curve is therefore valid for currents which flow constantly (non-intermittent) through each contact element of the connector evenly, without exceeding the allowed maximum temperature.

Measuring and testing techniques acc. to IEC 60512-5-2

Crimp terminal



① 24 B hoods/housings with 6 modules Wire cross section 2.5 mm<sup>2</sup>

② 24 B hoods/housings with 6 modules Wire cross section 1.5 mm<sup>2</sup>

## Technical characteristics

Contacts	8
Electrical data acc. to IEC 61984	<b>16 A 400 V 6 kV 3</b>
Rated current	16 A
Rated voltage	400 V
Rated impulse voltage	6 kV
Pollution degree	3
Rated voltage acc. to UL	600 V
Insulation resistance	≥10 <sup>10</sup> Ohm
Limiting temperatures	-40 °C ... 125 °C
Flammability (insert) acc. to UL 94	V 0
Mating cycles	≥500
Mating cycles with HMC contacts	≥10000
Material (insert)	polycarbonate
Colour (insert)	RAL 7032 (light grey)
Material (contact)	copper alloy

## Specifications and approvals

IEC 60664-1  
IEC 61984



## Details

**Crimping tools** see chapter 90

### Remarks on the crimp technique


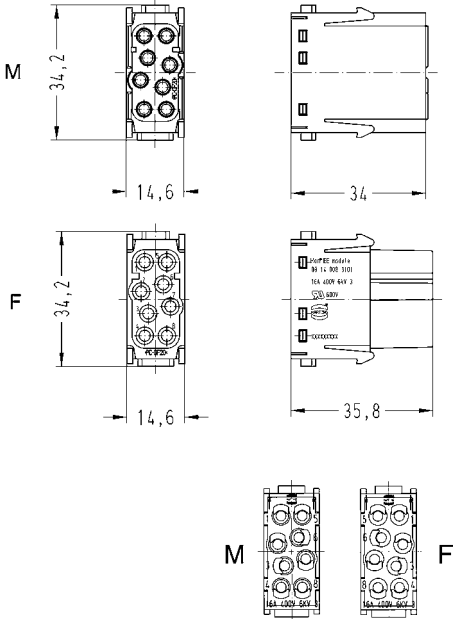

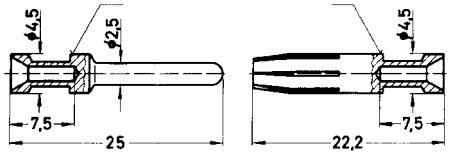
The wire gauges mentioned in the catalogue refer to geometric wire gauges of cables.

Designed for 10,000 mating cycles (only with Han E® HMC crimp contacts, Han-Modular® Docking frame and Han-Modular® Hinged frame HMC)

Number of contacts

8+

400 V  
16 A

Identification	Wire cross section (mm <sup>2</sup> )	Part number		Drawing Dimensions in mm																											
		male	female																												
Han-Modular®, Han® EE module, Crimp terminal    Please order crimp contacts separately.		09 14 008 3001	09 14 008 3101	  Contact arrangement (view from termination side)																											
Han E® HMC, Crimp contact, HMC gold plated contacts, contact resistance ≤1 mOhm  	0.14–0.37 0.5 0.75 1 1.5 2.5 4	09 33 200 6117 09 33 200 6122 09 33 200 6115 09 33 200 6118 09 33 200 6116 09 33 200 6123 09 33 200 6119	09 33 200 6217 09 33 200 6222 09 33 200 6215 09 33 200 6218 09 33 200 6216 09 33 200 6223 09 33 200 6221	  <table border="1"> <thead> <tr> <th>Identification</th> <th>Wire gauge</th> <th>Stripping length</th> </tr> </thead> <tbody> <tr> <td>no groove</td> <td>0.14-0.37 mm<sup>2</sup> AWG 26-22</td> <td>7.5 mm</td> </tr> <tr> <td>no groove</td> <td>0.5 mm<sup>2</sup> AWG 20</td> <td>7.5 mm</td> </tr> <tr> <td>1 groove*</td> <td>0.75 mm<sup>2</sup> AWG 18</td> <td>7.5 mm</td> </tr> <tr> <td>1 groove</td> <td>1 mm<sup>2</sup> AWG 18</td> <td>7.5 mm</td> </tr> <tr> <td>2 grooves</td> <td>1.5 mm<sup>2</sup> AWG 16</td> <td>7.5 mm</td> </tr> <tr> <td>3 grooves</td> <td>2.5 mm<sup>2</sup> AWG 14</td> <td>7.5 mm</td> </tr> <tr> <td>wide groove</td> <td>3 mm<sup>2</sup> AWG 12</td> <td>7.5 mm</td> </tr> <tr> <td>no groove</td> <td>4 mm<sup>2</sup> AWG 12</td> <td>7.5 mm</td> </tr> </tbody> </table> <p>* on the back crimp collar</p>	Identification	Wire gauge	Stripping length	no groove	0.14-0.37 mm <sup>2</sup> AWG 26-22	7.5 mm	no groove	0.5 mm <sup>2</sup> AWG 20	7.5 mm	1 groove*	0.75 mm <sup>2</sup> AWG 18	7.5 mm	1 groove	1 mm <sup>2</sup> AWG 18	7.5 mm	2 grooves	1.5 mm <sup>2</sup> AWG 16	7.5 mm	3 grooves	2.5 mm <sup>2</sup> AWG 14	7.5 mm	wide groove	3 mm <sup>2</sup> AWG 12	7.5 mm	no groove	4 mm <sup>2</sup> AWG 12	7.5 mm
Identification	Wire gauge	Stripping length																													
no groove	0.14-0.37 mm <sup>2</sup> AWG 26-22	7.5 mm																													
no groove	0.5 mm <sup>2</sup> AWG 20	7.5 mm																													
1 groove*	0.75 mm <sup>2</sup> AWG 18	7.5 mm																													
1 groove	1 mm <sup>2</sup> AWG 18	7.5 mm																													
2 grooves	1.5 mm <sup>2</sup> AWG 16	7.5 mm																													
3 grooves	2.5 mm <sup>2</sup> AWG 14	7.5 mm																													
wide groove	3 mm <sup>2</sup> AWG 12	7.5 mm																													
no groove	4 mm <sup>2</sup> AWG 12	7.5 mm																													

Han  
HMC

## Features

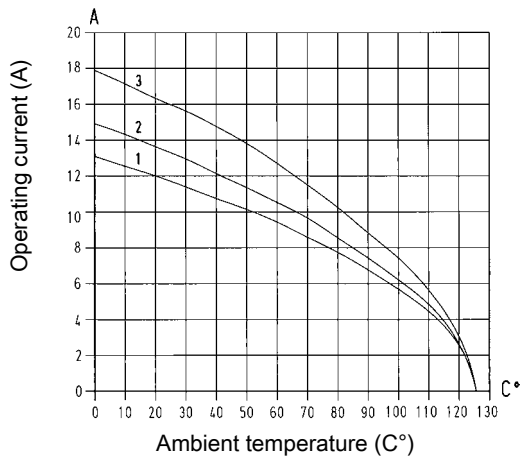
- Suitable for Han E® crimp contacts
- Higher density of crimping contacts
- Standard module for power up to 16 A
- Also suitable as a reliable signal connector

## Derating

### Current carrying capacity

The current carrying capacity of the connectors is limited by the thermal load capability of the contact element material including the connections and the insulating parts. The derating curve is therefore valid for currents which flow constantly (non-intermittent) through each contact element of the connector evenly, without exceeding the allowed maximum temperature.

Measuring and testing techniques acc. to IEC 60512-5-2



- ① 24 B hoods/housings with 3 modules Wire cross section 1.5 mm<sup>2</sup>
- ② 24 B hoods/housings with 3 modules Wire cross section 2.5 mm<sup>2</sup>
- ③ 24 B hoods/housings with 3 modules Wire cross section 4 mm<sup>2</sup>

## Technical characteristics

Contacts	20
Electrical data acc. to IEC 61984	<b>16 A 500 V 6 kV 3</b>
Rated current	16 A
Rated voltage	500 V
Rated impulse voltage	6 kV
Pollution degree	3
Rated voltage acc. to UL	600 V
Insulation resistance	≥10 <sup>10</sup> Ohm
Limiting temperatures	-40 °C ... 125 °C
Flammability (insert) acc. to UL 94	V 0
Mating cycles	≥500
Mating cycles with HMC contacts	≥10000
Material (insert)	polycarbonate
Colour (insert)	RAL 7032 (light grey)
Material (contact)	copper alloy

## Specifications and approvals

IEC 60664-1  
IEC 61984



## Details

**Crimping tools** see chapter 90

### Remarks on the crimp technique


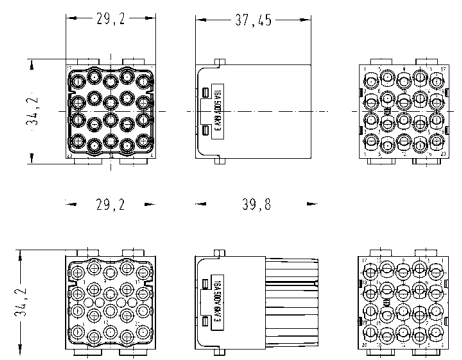

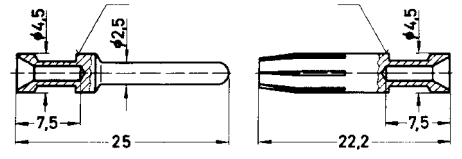
The wire gauges mentioned in the catalogue refer to geometric wire gauges of cables.

Designed for 10,000 mating cycles (only with Han E® HMC crimp contacts, Han-Modular® Docking frame and Han-Modular® Hinged frame HMC)

Number of contacts

# 20

500 V  
16 A

Identification	Wire cross section (mm²)	Part number		Drawing Dimensions in mm																											
		male	female																												
Han-Modular®, Han® EEE module, Crimp terminal   Please order crimp contacts separately.		09 14 020 3001	09 14 020 3101	 Contact arrangement (view from termination side)																											
Han E® HMC, Crimp contact, HMC gold plated contacts, contact resistance ≤1 mOhm  	0.14–0.37 0.5 0.75 1 1.5 2.5 4	09 33 200 6117 09 33 200 6122 09 33 200 6115 09 33 200 6118 09 33 200 6116 09 33 200 6123 09 33 200 6119	09 33 200 6217 09 33 200 6222 09 33 200 6215 09 33 200 6218 09 33 200 6216 09 33 200 6223 09 33 200 6221	 <table border="1"> <thead> <tr> <th>Identification</th> <th>Wire gauge</th> <th>Stripping length</th> </tr> </thead> <tbody> <tr> <td>no groove</td> <td>0.14-0.37 mm² AWG 26-22</td> <td>7.5 mm</td> </tr> <tr> <td>no groove</td> <td>0.5 mm² AWG 20</td> <td>7.5 mm</td> </tr> <tr> <td>* 1 groove</td> <td>0.75 mm² AWG 18</td> <td>7.5 mm</td> </tr> <tr> <td>1 groove</td> <td>1 mm² AWG 18</td> <td>7.5 mm</td> </tr> <tr> <td>2 grooves</td> <td>1.5 mm² AWG 16</td> <td>7.5 mm</td> </tr> <tr> <td>3 grooves</td> <td>2.5 mm² AWG 14</td> <td>7.5 mm</td> </tr> <tr> <td>wide groove</td> <td>3 mm² AWG 12</td> <td>7.5 mm</td> </tr> <tr> <td>no groove</td> <td>4 mm² AWG 12</td> <td>7.5 mm</td> </tr> </tbody> </table> * on the back crimp collar	Identification	Wire gauge	Stripping length	no groove	0.14-0.37 mm² AWG 26-22	7.5 mm	no groove	0.5 mm² AWG 20	7.5 mm	* 1 groove	0.75 mm² AWG 18	7.5 mm	1 groove	1 mm² AWG 18	7.5 mm	2 grooves	1.5 mm² AWG 16	7.5 mm	3 grooves	2.5 mm² AWG 14	7.5 mm	wide groove	3 mm² AWG 12	7.5 mm	no groove	4 mm² AWG 12	7.5 mm
Identification	Wire gauge	Stripping length																													
no groove	0.14-0.37 mm² AWG 26-22	7.5 mm																													
no groove	0.5 mm² AWG 20	7.5 mm																													
* 1 groove	0.75 mm² AWG 18	7.5 mm																													
1 groove	1 mm² AWG 18	7.5 mm																													
2 grooves	1.5 mm² AWG 16	7.5 mm																													
3 grooves	2.5 mm² AWG 14	7.5 mm																													
wide groove	3 mm² AWG 12	7.5 mm																													
no groove	4 mm² AWG 12	7.5 mm																													

Han HMC

## Features

- Standard module for signal up to 10 A

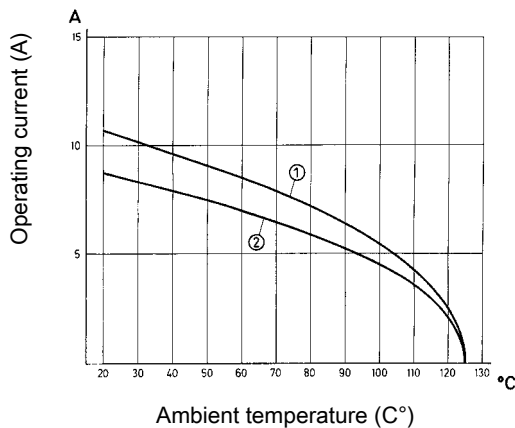
## Derating

### Current carrying capacity

The current carrying capacity of the connectors is limited by the thermal load capability of the contact element material including the connections and the insulating parts. The derating curve is therefore valid for currents which flow constantly (non-intermittent) through each contact element of the connector evenly, without exceeding the allowed maximum temperature.

Measuring and testing techniques acc. to IEC 60512-5-2

Crimp terminal



- ① 24 B hoods/housings with 6 modules Wire cross section 1.5 mm<sup>2</sup>
- ② 24 B hoods/housings with 6 modules Wire cross section 1 mm<sup>2</sup>

## Technical characteristics

Contacts	12
Electrical data acc. to IEC 61984	<b>10 A 250 V 4 kV 3</b>
Rated current	10 A
Rated voltage	250 V
Rated impulse voltage	4 kV
Pollution degree	3
Rated voltage acc. to UL	600 V
Insulation resistance	≥10 <sup>10</sup> Ohm
Limiting temperatures	-40 °C ... 125 °C
Flammability (insert) acc. to UL 94	V 0
Mating cycles	≥500
Mating cycles with HMC contacts	≥10000
Material (insert)	polycarbonate
Colour (insert)	RAL 7032 (light grey)
Material (contact)	copper alloy

## Specifications and approvals

IEC 60664-1  
IEC 61984



## Details

**Crimping tools** see chapter 90

### Remarks on the crimp technique


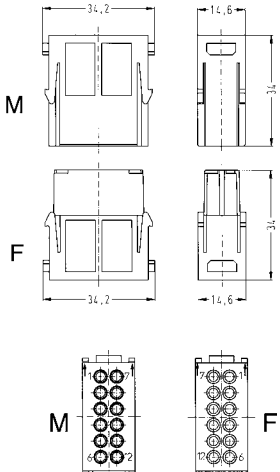

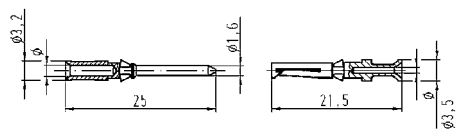
The wire gauges mentioned in the catalogue refer to geometric wire gauges of cables.

Designed for 10,000 mating cycles (only with Han D<sup>®</sup> HMC crimp contacts and with Han-Modular<sup>®</sup> Docking frame)

Number of contacts

# 12+

250 V  
10 A

Identification	Wire cross section (mm <sup>2</sup> )	Part number		Drawing Dimensions in mm																					
		male	female																						
Han-Modular®, Han DD® module, Crimp terminal    Please order crimp contacts separately.		09 14 012 3001	09 14 012 3101	  Contact arrangement (view from termination side)																					
Han D® HMC, Crimp contact, HMC gold plated contacts, contact resistance ≤3 mOhm  	0.14 – 0.37 0.5 0.75 1 1.5 2.5	09 15 200 6124 09 15 200 6123 09 15 200 6125 09 15 200 6122 09 15 200 6121 09 15 200 6126	09 15 200 6224 09 15 200 6223 09 15 200 6225 09 15 200 6222 09 15 200 6221 09 15 200 6226	  <table border="1"> <thead> <tr> <th>Wire gauge</th> <th>∅</th> <th>Stripping length</th> </tr> </thead> <tbody> <tr> <td>0.14-0.37 mm<sup>2</sup> AWG 26-22</td> <td>0.9 mm</td> <td>8 mm</td> </tr> <tr> <td>0.5 mm<sup>2</sup> AWG 20</td> <td>1.1 mm</td> <td>8 mm</td> </tr> <tr> <td>0.75 mm<sup>2</sup> AWG 18</td> <td>1.3 mm</td> <td>8 mm</td> </tr> <tr> <td>1 mm<sup>2</sup> AWG 18</td> <td>1.45 mm</td> <td>8 mm</td> </tr> <tr> <td>1.5 mm<sup>2</sup> AWG 16</td> <td>1.75 mm</td> <td>8 mm</td> </tr> <tr> <td>2.5 mm<sup>2</sup> AWG 14</td> <td>2.25 mm</td> <td>6 mm</td> </tr> </tbody> </table>	Wire gauge	∅	Stripping length	0.14-0.37 mm <sup>2</sup> AWG 26-22	0.9 mm	8 mm	0.5 mm <sup>2</sup> AWG 20	1.1 mm	8 mm	0.75 mm <sup>2</sup> AWG 18	1.3 mm	8 mm	1 mm <sup>2</sup> AWG 18	1.45 mm	8 mm	1.5 mm <sup>2</sup> AWG 16	1.75 mm	8 mm	2.5 mm <sup>2</sup> AWG 14	2.25 mm	6 mm
Wire gauge	∅	Stripping length																							
0.14-0.37 mm <sup>2</sup> AWG 26-22	0.9 mm	8 mm																							
0.5 mm <sup>2</sup> AWG 20	1.1 mm	8 mm																							
0.75 mm <sup>2</sup> AWG 18	1.3 mm	8 mm																							
1 mm <sup>2</sup> AWG 18	1.45 mm	8 mm																							
1.5 mm <sup>2</sup> AWG 16	1.75 mm	8 mm																							
2.5 mm <sup>2</sup> AWG 14	2.25 mm	6 mm																							

Han HMC

## Features

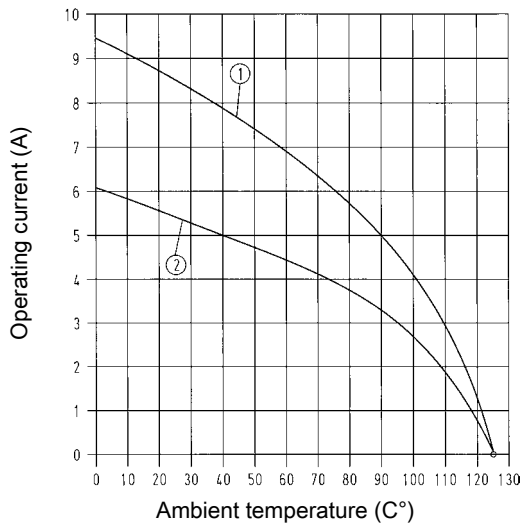
- Suitable for Han D® crimp contacts
- High contact density

## Derating

### Current carrying capacity

The current carrying capacity of the connectors is limited by the thermal load capability of the contact element material including the connections and the insulating parts. The derating curve is therefore valid for currents which flow constantly (non-intermittent) through each contact element of the connector evenly, without exceeding the allowed maximum temperature.

Measuring and testing techniques acc. to IEC 60512-5-2



- ① 24 B hoods/housings with 6 modules Wire cross section 1.5 mm<sup>2</sup>
- ② 24 B hoods/housings with 6 modules Wire cross section 1 mm<sup>2</sup>

## Technical characteristics

Contacts	17
Electrical data acc. to IEC 61984	<b>10 A 160 V 2.5 kV 3</b>
Rated current	10 A
Rated voltage	160 V
Rated impulse voltage	2.5 kV
Pollution degree	3
Rated voltage acc. to UL	250 V
Insulation resistance	≥10 <sup>10</sup> Ohm
Limiting temperatures	-40 °C ... 125 °C
Flammability (insert) acc. to UL 94	V 0
Mating cycles	≥500
Mating cycles with HMC contacts	≥10000
Material (insert)	polycarbonate
Colour (insert)	RAL 7032 (light grey)
Material (contact)	copper alloy

## Specifications and approvals

IEC 60664-1  
IEC 61984



## Details

**Crimping tools** see chapter 90

### Remarks on the crimp technique

The wire gauges mentioned in the catalogue refer to geometric wire gauges of cables.

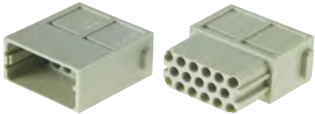
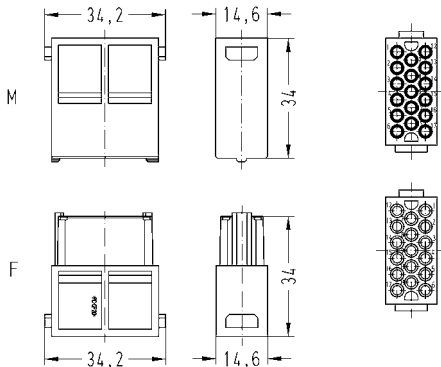

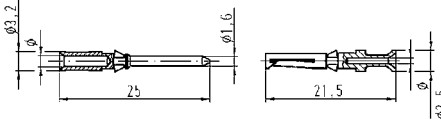
Designed for 10,000 mating cycles (only with Han D® HMC crimp contacts and with Han-Modular® Docking frame)



Number of contacts

# 17

160 V  
10 A

Identification	Wire cross section (mm <sup>2</sup> )	Part number		Drawing Dimensions in mm																					
		male	female																						
Han-Modular®, Han® DDD module, Crimp terminal   Please order crimp contacts separately.		09 14 017 3001	09 14 017 3101	 Contact arrangement (view from termination side)																					
Han D® HMC, Crimp contact, HMC gold plated contacts, contact resistance ≤3 mOhm  	0.14 – 0.37 0.5 0.75 1 1.5 2.5	09 15 200 6124 09 15 200 6123 09 15 200 6125 09 15 200 6122 09 15 200 6121 09 15 200 6126	09 15 200 6224 09 15 200 6223 09 15 200 6225 09 15 200 6222 09 15 200 6221 09 15 200 6226	 <table border="1"> <thead> <tr> <th>Wire gauge</th> <th>∅</th> <th>Stripping length</th> </tr> </thead> <tbody> <tr> <td>0.14-0.37 mm<sup>2</sup> AWG 26-22</td> <td>0.9 mm</td> <td>8 mm</td> </tr> <tr> <td>0.5 mm<sup>2</sup> AWG 20</td> <td>1.1 mm</td> <td>8 mm</td> </tr> <tr> <td>0.75 mm<sup>2</sup> AWG 18</td> <td>1.3 mm</td> <td>8 mm</td> </tr> <tr> <td>1 mm<sup>2</sup> AWG 18</td> <td>1.45 mm</td> <td>8 mm</td> </tr> <tr> <td>1.5 mm<sup>2</sup> AWG 16</td> <td>1.75 mm</td> <td>8 mm</td> </tr> <tr> <td>2.5 mm<sup>2</sup> AWG 14</td> <td>2.25 mm</td> <td>6 mm</td> </tr> </tbody> </table>	Wire gauge	∅	Stripping length	0.14-0.37 mm <sup>2</sup> AWG 26-22	0.9 mm	8 mm	0.5 mm <sup>2</sup> AWG 20	1.1 mm	8 mm	0.75 mm <sup>2</sup> AWG 18	1.3 mm	8 mm	1 mm <sup>2</sup> AWG 18	1.45 mm	8 mm	1.5 mm <sup>2</sup> AWG 16	1.75 mm	8 mm	2.5 mm <sup>2</sup> AWG 14	2.25 mm	6 mm
Wire gauge	∅	Stripping length																							
0.14-0.37 mm <sup>2</sup> AWG 26-22	0.9 mm	8 mm																							
0.5 mm <sup>2</sup> AWG 20	1.1 mm	8 mm																							
0.75 mm <sup>2</sup> AWG 18	1.3 mm	8 mm																							
1 mm <sup>2</sup> AWG 18	1.45 mm	8 mm																							
1.5 mm <sup>2</sup> AWG 16	1.75 mm	8 mm																							
2.5 mm <sup>2</sup> AWG 14	2.25 mm	6 mm																							

Han  
HMC

## Features

- Hoods/Housings, metal
- Locking levers: Han-Easy Lock® with special locking reel
- **Field of application:** for excellent mechanical and electrical protection in demanding environments, for example, in the automobile and mechanical engineering industries also for process and regulation control applications
- **Distinguishing feature:** hoods/housings colour-coded grey (RAL 7037)


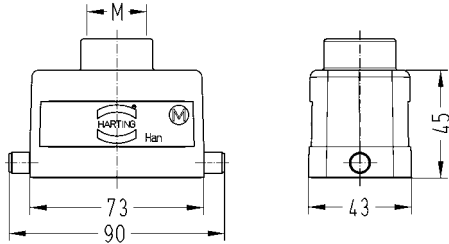

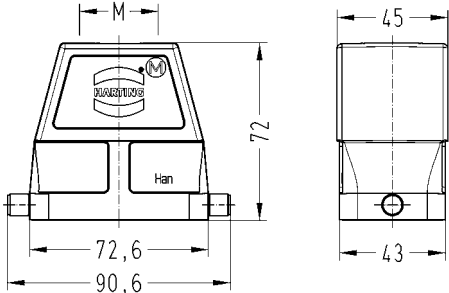
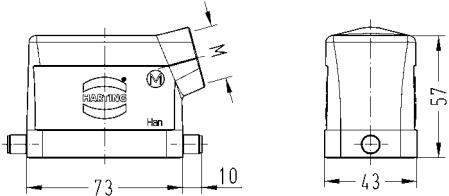
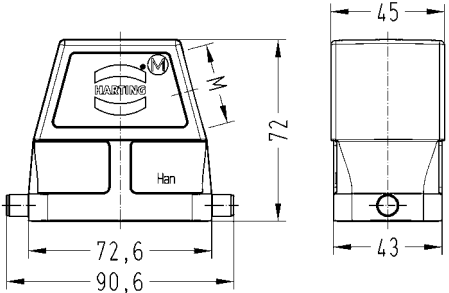
## Technical characteristics

Limiting temperatures	-40 °C ... 125 °C
Mating cycles	≥10000
Flammability (locking lever) acc. to UL 94	V 0
Protection class acc. to UL 50	NEMA type 4/4X/12
Degree of protection acc. to IEC 60529	IP65
Material (hoods/housings)	aluminium
Surface (hoods/housings)	powder-coated
Colour (hoods/housings)	RAL 7037 (grey)
Material (locking lever)	polycarbonate + stainless steel
Colour (locking lever)	RAL 7037 (grey)
Material (seal)	NBR

## Specifications and approvals


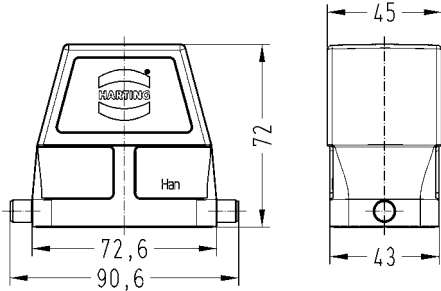

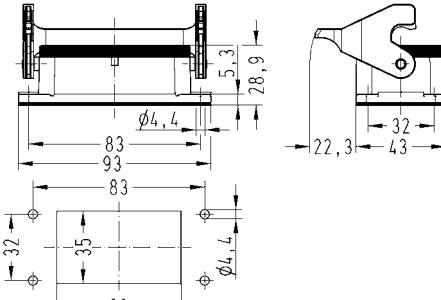

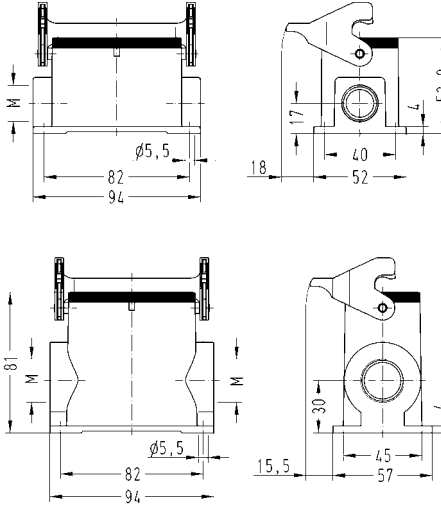
ⓂGL

Metal hoods/housings for industrial applications  
single locking lever

Identification	Cable entry	Part number		Drawing Dimensions in mm	
		Low construction	High construction		
Han® B HMC, Hoods, top entry  	1xM20 1xM25 1xM32	19 30 210 1440 19 30 210 1441	19 30 210 0447		
Han® B HMC, Hoods, side entry  	1xM20 1xM25 1xM32	19 30 210 1540 19 30 210 1541	19 30 210 0547		
					
					

Han HMC



Identification	Cable entry	Part number		Drawing Dimensions in mm
		Low construction	High construction	
Han® B HMC, Hoods, without cable entry  	-		09 30 210 0803	
Han® B HMC, Bulkhead mounted housings, Han-Easy Lock®  	-	09 30 210 0305		 <p>Panel cut out</p>
Han® B HMC, Surface mounted housings, side entry, Han-Easy Lock®  	1xM20 2xM20 2xM25 2xM32	19 30 210 1250 19 30 210 1290	19 30 210 0291 19 30 210 0292	


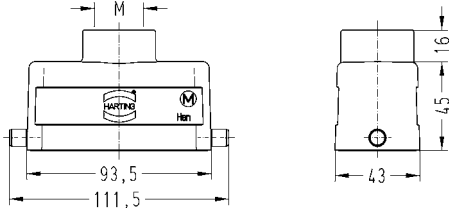
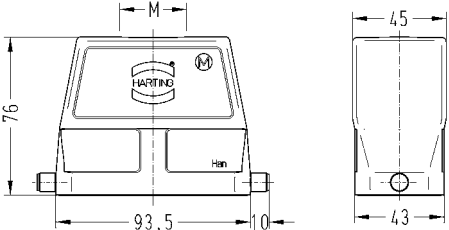

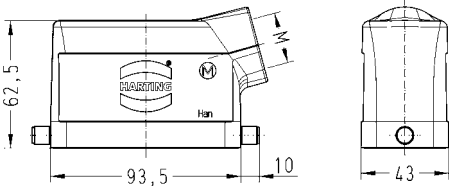
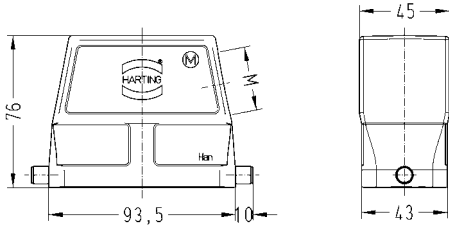

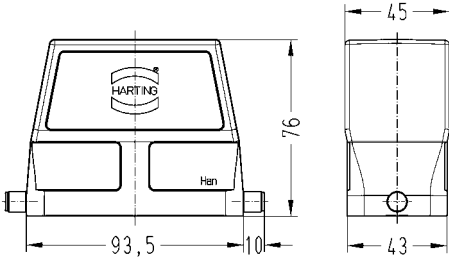
Han  
HMC

Identification	Cable entry	Part number		Drawing Dimensions in mm
		Low construction	High construction	
Han® B HMC, Cable to cable housings, top entry, Han-Easy Lock®	1xM20 1xM25	19 30 210 1750	19 30 210 0756	





Metal hoods/housings for industrial applications  
single locking lever


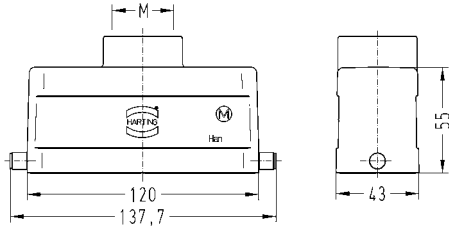
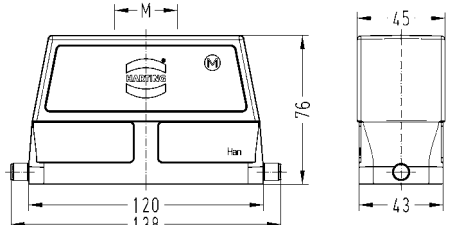

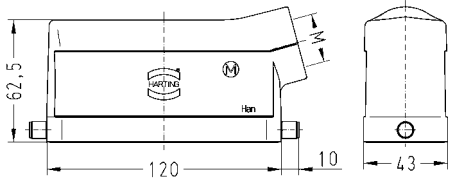
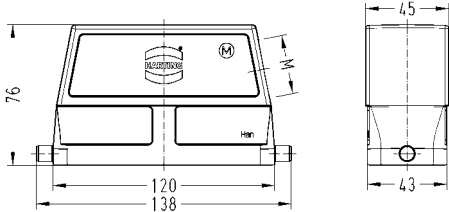

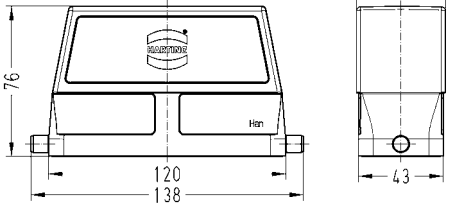
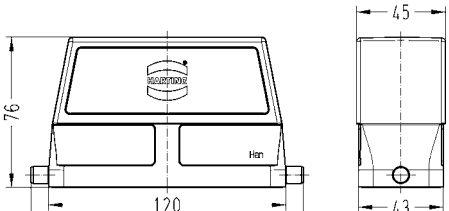
Identification	Cable entry	Part number		Drawing Dimensions in mm	
		Low construction	High construction		
Han® B HMC, Hoods, top entry  	1xM25 1xM32 1xM40	19 30 216 1441 19 30 216 1442	19 30 216 0447 19 30 216 0448		
Han® B HMC, Hoods, side entry  	1xM25 1xM32 1xM40	19 30 216 1541 19 30 216 1542	19 30 216 0547 19 30 216 0548		
Han® B HMC, Hoods, without cable entry  	-		09 30 216 0803		

Han  
HMC




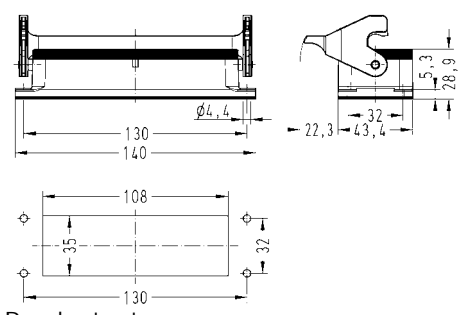

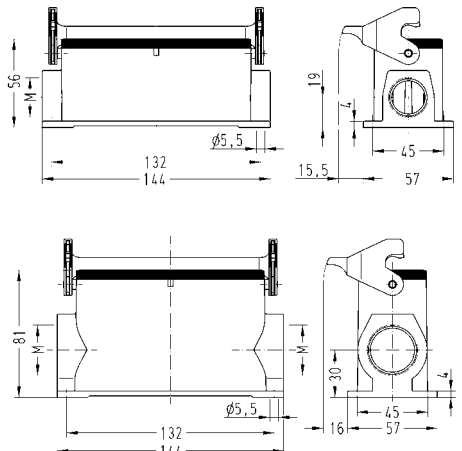

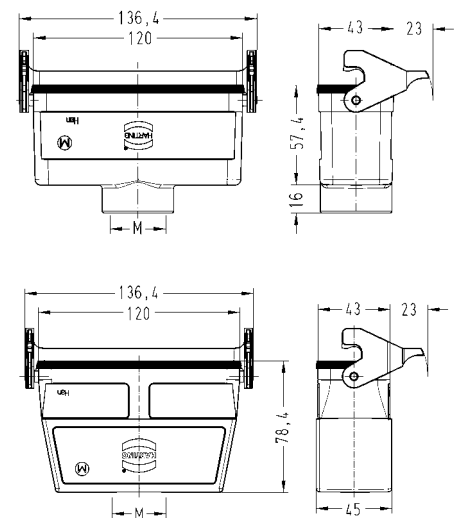


Metal hoods/housings for industrial applications  
single locking lever

Identification	Cable entry	Part number		Drawing Dimensions in mm	
		Low construction	High construction		
Han® B HMC, Hoods, top entry  	1xM32 1xM40	19 30 224 1442	19 30 224 0447 19 30 224 0448		
Han® B HMC, Hoods, side entry  	1xM25 1xM32 1xM40	19 30 224 1541 19 30 224 1542	19 30 224 0547 19 30 224 0548		
Han® B HMC, Hoods, without cable entry  	-		09 30 224 0803		





Identification	Cable entry	Part number		Drawing Dimensions in mm
		Low construction	High construction	
Han® B HMC, Bulkhead mounted housings, Han-Easy Lock®  		09 30 224 0307		 <p>Panel cut out</p>
Han® B HMC, Surface mounted housings, side entry, Han-Easy Lock®  	1xM25 2xM25 2xM32	19 30 224 1251 19 30 224 1291	19 30 224 0292	
Han® B HMC, Cable to cable housings, top entry, Han-Easy Lock®  	1xM32	19 30 224 1752	19 30 224 0757	

Han  
HMC


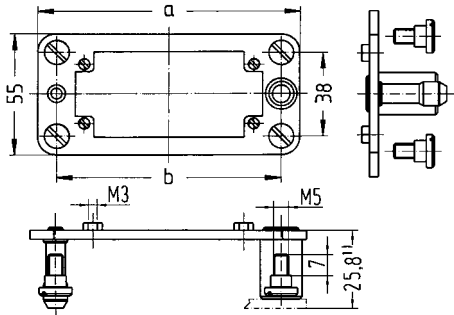
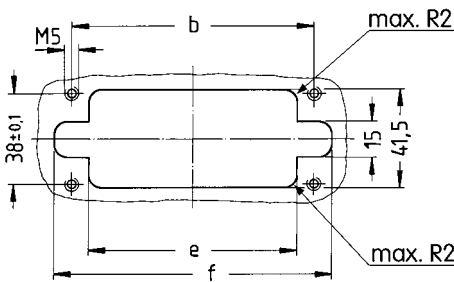
## Features

- Suitable for all inserts of the series Han E<sup>®</sup>, Han E<sup>®</sup> HMC, Han EE<sup>®</sup>, Han EE<sup>®</sup> HMC, Han EEE<sup>®</sup>, Han EEE<sup>®</sup> HMC, Han<sup>®</sup> ES, Han D<sup>®</sup> (size B), Han D<sup>®</sup> HMC, Han DD<sup>®</sup>, Han DD<sup>®</sup> HMC, Han-Com<sup>®</sup>, Han<sup>®</sup> HsB, Han-Modular<sup>®</sup>
- Ideal for applications in the field of transportation, as well as in the printing industry
- Due to the floating system of the docking frame the PE connection of the mounting base has to be installed separately
- Inserts are protected against mechanical damage

## Technical characteristics

Mating cycles	≥500
Mating cycles with HMC connectors	≥10000
Material (hoods/housings)	stainless steel
Material (screwing)	zinc die-cast



Identification	Size	Part number	Drawing Dimensions in mm
<p>Docking frame</p> <p>Range of delivery: 1 frame, 4 cheese head shoulder screws to fix the docking frame</p>  <p>pull-in-range x-axis: <math>\pm 1.5</math> mm pull-in-range y-axis: <math>\pm 1.5</math> mm</p>	<p>6 B 10 B 16 B 24 B</p>	<p>09 30 006 1701 09 30 010 1701 09 30 016 1701 09 30 024 1701</p>	 <p>Distance for electrical and F.O. contacts max. 27 mm; for pneumatic contacts max. 26.5 mm</p> <p>6 B: a=86; b=69 10 B: a=99; b=82 16 B: a= 119.5 ; b= 102.5 24 B: a=146; b=129</p>  <p>6 B: b= 69; e= 54.5; f= 84 10 B: b= 82; e= 67.5; f= 97 16 B: b= 102.5; e= 88; f= 117.5 24 B: b= 129; e= 114.5; f= 144</p>