

# Product Portfolio 2017

## Industrial Power Supplies and System Solutions



## **The varying levels of industrial power supplies**

All power supplies designed for use in non-medical application are required to meet the international safety standards of IEC/EN/UL 60950-1. Industrial grade power supplies are subjected to increased requirements which vary depending upon their operating environment, typically divided into 2 categories, one for office / manufacturing environments and another for harsh/hazardous environments.

For power supplies in household applications, there are virtually no differences when it comes to insulation and operational safety. However, stronger electromagnetic and conducted disturbances are expected to arise in industrial environments, and electrical power supplies must be resistant to these. EMC immunity tests according to the generic standard IEC 61000-6-2 „immunity for industrial environments“ is the common denominator for a power supply being classified as industrial-grade.

### **The right product for the application and environment / standard products**

Traco Power offers a wide selection of standard industrial power supplies that are manufactured and tested according to the varying environments and applicable safety standards, allowing our customers to choose the power solution that is most cost-effective for their application and environmental requirements.

### **All our industrial rated power supplies provide following features as standard:**

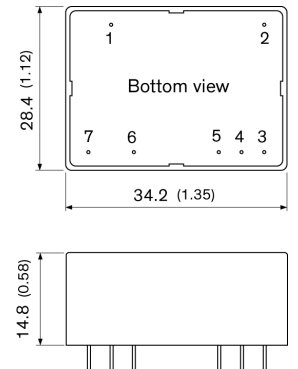
- Safety approval according IEC/EN/UL 60950-1 (for 3000 VAC I/O isolation)
- EMC immunity according IEC 61000-6-2
- EMC emission according EN 55022 class B
- Protection against short circuit, overload and output over-voltage

### **Customer specific applications / customized solutions**

It is often not possible to find a standard power supply that fully complies with the respective requirements or without unnecessary features making the application more expensive. With our design company **TRACO POWER SOLUTIONS** we have a center of competence to develop and optimize power supplies for customer-specific requirements. The motto from our design team is “Reduced to the Max” and develop or modify a solution specific to your needs at the lowest cost of ownership.

**TMSB 2 Series****NEW****2 Watt standby power modules**

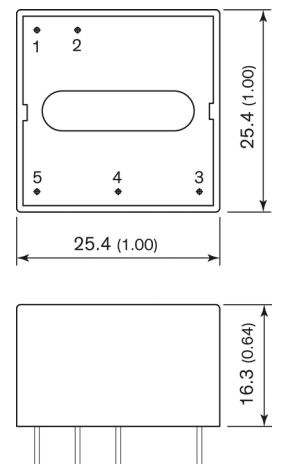
- Universal input 90-264 VAC and 120-370 VDC
- Output voltages: 8, 14, 24 VDC
- No load input power <30 mW ErP-ready
- Constant power characteristics at 2W (no current limitation)
- Suitable to drive relays, solenoids, capacitive loads and LED's
- Constant voltage auxiliary outputs 3.3 and 5.0 VDC
- Safety: IEC 60335-1 (household)



[www.tracopower.com/overview/tmsb2](http://www.tracopower.com/overview/tmsb2)

**TMPS 03 Series****NEW****3 Watt compact low power modules**

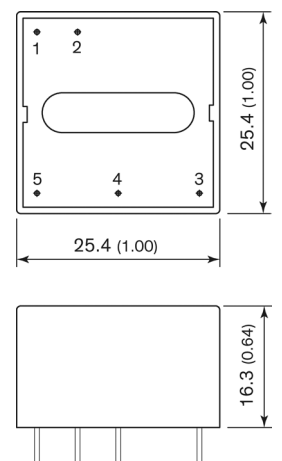
- Universal input 85-264 VAC and 120-370 VDC
- Output voltages: 3.3, 5.0, 9.0, 12, 15, 24 VDC
- No load input power <150 mW ErP-ready
- Safety: IEC 60335-1 (household)



[www.tracopower.com/overview/tmps03](http://www.tracopower.com/overview/tmps03)

**TMPS 05 Series****NEW****5 Watt compact low power modules**

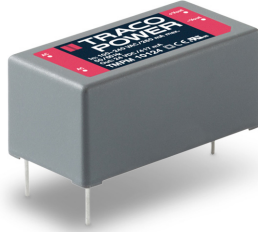
- Universal input 85-264 VAC and 120-370 VDC
- Output voltages: 3.3, 5.0, 9.0, 12, 15, 24 VDC
- No load input power <300 mW ErP-ready
- Safety: IEC 60335-1 (household)



[www.tracopower.com/overview/tmps05](http://www.tracopower.com/overview/tmps05)

## TMPM Series

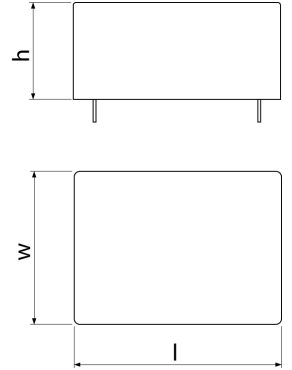
- Universal input 85-264 VAC and 120-370 VDC
- Output voltages: 3.3, 5.0, 9.0, 12, 15, 24,  $\pm 12$ ,  $\pm 15$ , 5.0/3.3, 12/5.0 VDC
- Over-temperature protection



[www.tracopower.com/overview/tmpm](http://www.tracopower.com/overview/tmpm)

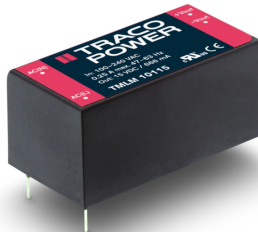
## 4-10 Watt compact power modules

TMPM 4 Watt  
l: 36.5 mm  
w: 27 mm  
h: 17.1 mm  
TMPM 10 Watt  
l: 52.4 mm  
w: 27.2 mm  
h: 23.5 mm



## TMLM Series

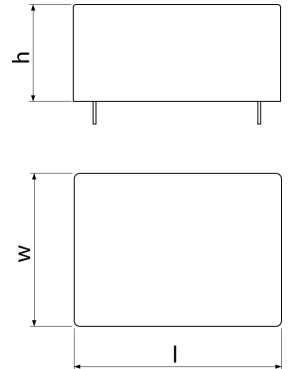
- Universal input 90-264 VAC and 120-370 VDC  
extended 85-305 VAC for 4 Watt models
- Output voltages: 3.3, 5.0, 9.0, 12, 15, 24, 5.0/3.3, 12/5.0 VDC



[www.tracopower.com/overview/tmlm](http://www.tracopower.com/overview/tmlm)

## 4-20 Watt compact power modules

TMLM 4 Watt  
l: 36.5 mm  
w: 27 mm  
h: 17.1 mm  
TMLM 5 Watt  
l: 50.8 mm  
w: 25.4 mm  
h: 15.2 mm  
TMLM 10/20 Watt  
l: 52.4 mm  
w: 27.2 mm  
h: 23.5 mm



## TMG Series

**NEW**

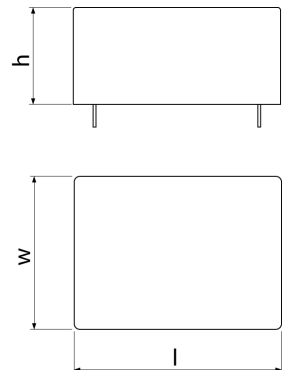
- Universal input 90-264 VAC and 120-370 VDC
- Output voltages: 5.0, 12, 15, 24, 48 VDC
- High efficiency up to 90 %
- No load input power <300 mW  
ErP-ready



[www.tracopower.com/overview/tmg](http://www.tracopower.com/overview/tmg)

## 7-50 Watt compact power modules

TMG 7 Watt  
l: 27.4 mm  
w: 27.4 mm  
h: 18.7 mm  
TMG 15 Watt  
l: 41.2 mm  
w: 27.2 mm  
h: 19.1 mm  
TMG 30 Watt  
l: 64.0 mm  
w: 45.0 mm  
h: 23.5 mm  
TMG 50 Watt  
l: 74.1 mm  
w: 54.1 mm  
h: 21.8 mm



## TMP Series

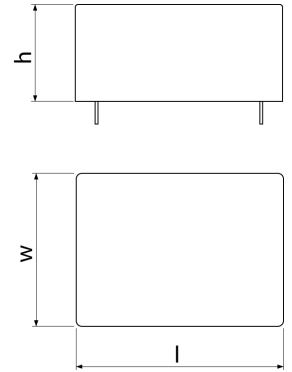
- Universal input 85-264 VAC and 120-370 VDC
- Output voltages: 3.3, 5.0, 12, 15, 24, 48,  $\pm 12$ ,  $\pm 15$ , 5.0/12 VDC and triple output models
- Over-temperature protection



[www.tracopower.com/overview/tmp](http://www.tracopower.com/overview/tmp)

## 7-60 Watt power modules

TMP 7 Watt  
l: 50.8 mm  
w: 25.4 mm  
h: 19.3 mm  
TMP 10 Watt  
l: 64.0 mm  
w: 45.0 mm  
h: 19.0 mm  
TMP 15 Watt  
l: 74.0 mm  
w: 54.0 mm  
h: 19.3 mm  
TMP 30 Watt  
l: 89.0 mm  
w: 63.5 mm  
h: 21.5 mm  
TMP 60 Watt  
l: 89.0 mm  
w: 67.5 mm  
h: 34.0 mm



## TMP-C Series

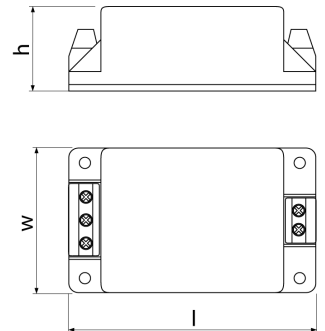
- Universal input 85-264 VAC and 120-370 VDC
- Output voltages: 3.3, 5.0, 12, 15, 24, 48,  $\pm 12$ ,  $\pm 15$ , 5.0/12 VDC and triple output models
- Over-temperature protection
- Safety: UL 508
- Option: DIN-rail mounting bracket



[www.tracopower.com/overview/tmp-c](http://www.tracopower.com/overview/tmp-c)

## 15-60 Watt power modules for chassis mount

TMP-C 15 Watt  
l: 96.0 mm  
w: 54.0 mm  
h: 23.3 mm  
TMP-C 30 Watt  
l: 112.0 mm  
w: 63.8 mm  
h: 25.6 mm  
TMP-C 60 Watt  
l: 112.0 mm  
w: 67.8 mm  
h: 38.0 mm



## TML-(C) Series

- Universal input 90-264 VAC and 100-370 VDC
- Output voltages: 3.3, 5.0, 12, 15, 24,  $\pm 5$ ,  $\pm 12$ ,  $\pm 15$ , 5/12, 5/24 VDC and triple output models
- Over-temperature protection

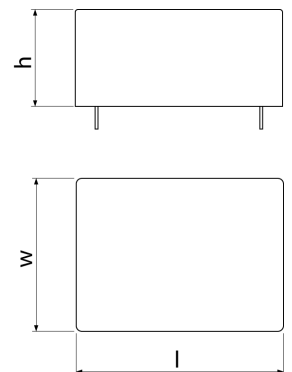


[www.tracopower.com/overview/tml](http://www.tracopower.com/overview/tml)

## 20-40 Watt power modules PCB or chassis mount

PCB version  
TML 20 Watt  
l: 70.0 mm  
w: 48.0 mm  
h: 22.0 mm  
TML 40 Watt  
l: 89.0 mm  
w: 63.5 mm  
h: 25.0 mm

Chassis version  
TML-C 20 Watt  
l: 96.0 mm  
w: 54.6 mm  
h: 27.5 mm  
TML-C 40 Watt  
l: 112.9 mm  
w: 64.7 mm  
h: 31.5 mm



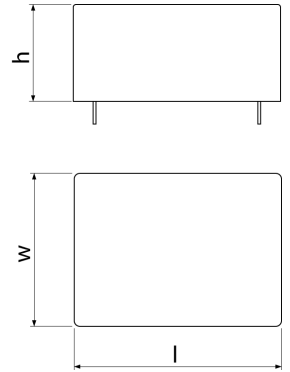
## TMM Series

- Universal input 85-264 VAC and 120-370 VDC
- Output voltages: 5.0, 12, 15, 24, ±12, ±15, VDC
- I/O isolation 4000 VAC
- No load input power <300 mW ErP-ready
- -40°C start-up temperature
- Over-temperature protection
- Safety: IEC/EN/ES 60601-1 (medical)



## 24-60 Watt power modules

TMM 24 Watt  
l: 74.0 mm  
w: 54.0 mm  
h: 19.3 mm  
TMM 40 Watt  
l: 88.9 mm  
w: 63.5 mm  
h: 30.0 mm  
TMM 60 Watt  
l: 89.0 mm  
w: 67.5 mm  
h: 34.0 mm



[www.tracopower.com/overview/tmm](http://www.tracopower.com/overview/tmm)

## TMM-C Series

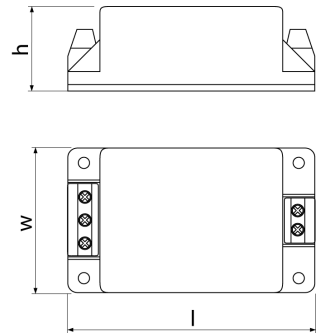
- Universal input 85-264 VAC and 120-370 VDC
- Output voltages: 5.0, 12, 15, 24, ±12, ±15, VDC
- I/O isolation 4000 VAC
- No load input power <300 mW ErP-ready
- -40°C start-up temperature
- Over-temperature protection
- Safety: IEC/EN/ES 60601-1 (medical) UL 508
- Option: DIN-rail mounting bracket



picture: with optional bracket on DIN-rail

## 24-60 Watt power modules for chassis mount

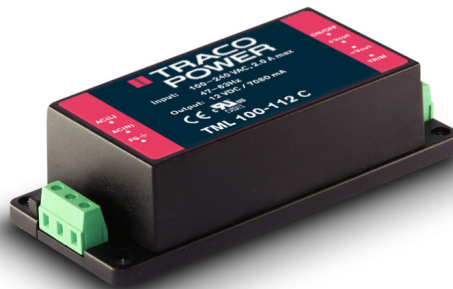
TMM-C 24 Watt  
l: 96.0 mm  
w: 54.0 mm  
h: 23.3 mm  
TMM-C 40 Watt  
l: 112.0 mm  
w: 63.8 mm  
h: 34.1 mm  
TMM-C 60 Watt  
l: 112.0 mm  
w: 67.8 mm  
h: 38.0 mm



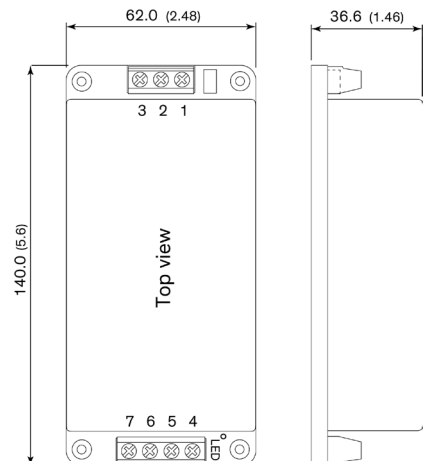
[www.tracopower.com/overview/tmm](http://www.tracopower.com/overview/tmm)

## TML 100C Series

- Universal input 90-264 VAC and 120-370 VDC
- Output voltages: 12, 15, 24, 48 VDC ±5% adjustable
- Active power factor correction
- Very high efficiency up to 94 %
- Remote On/Off
- DC-OK LED indicator



## 100 Watt power modules for chassis mount



[www.tracopower.com/overview/tml100C](http://www.tracopower.com/overview/tml100C)

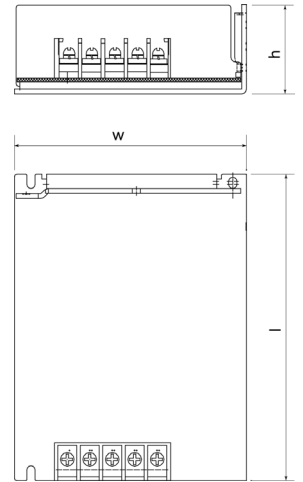
## TXM Series

## 15-150 Watt enclosed power supplies

- Universal input 90-264 VAC and 127-370 VDC
- Output voltages: 3.3, 5.0, 12, 15, 24, 48 VDC adjustable: -5/+10%
- Compact design, no internal fan
- Very high efficiency up to 89%



TXM 15/25 Watt
l: 91 mm
w: 51 mm
h: 29 mm
TXM 35 Watt
l: 102 mm
w: 64 mm
h: 33 mm
TXM 50 Watt
l: 99 mm
w: 82 mm
h: 35 mm
TXM 75 Watt
l: 129 mm
w: 99 mm
h: 38 mm
TXM 100/150 Watt
l: 179 mm
w: 99 mm
h: 50 mm



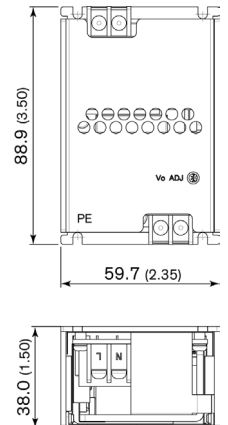
[www.tracopower.com/overview/txm](http://www.tracopower.com/overview/txm)

## TXH 060 Series

**NEW**

## 60 Watt enclosed power supplies

- Universal input 90-264 VAC and 120-370 VDC
- Output voltages: 5.0, 12, 15, 24, 48 VDC adjustable:  $\pm 5\%$
- No load input power <300 mW ErP-ready
- Compact design
- Very high efficiency up to 88%

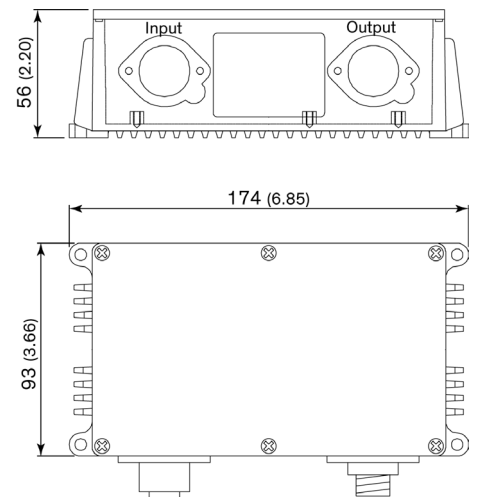


[www.tracopower.com/overview/txh060](http://www.tracopower.com/overview/txh060)

## TEX 120 Series

## 120 Watt outdoor power supplies

- Universal input 85-264 VAC and 85-375 VDC
- Output voltages: 12-15, 24-28 VDC
- Rugged design in die-cast aluminium housing for extreme environments
- Dust, water (incl. salt water), ice and oil resistant enclosure, IP67 and NEMA 4X
- Operating temperature -40 to 85°C
- safety:
  - UL-hazloc and IEC/EN 60079-15 (Class I, Zone 2, EEx nA IIC T4)
  - UL 508, IEC/EN 61010-1, C22.2 61010-1-12, UL 61010-1 3rd
  - EN 60204-3, EN 50178, EN 61558-2-8



[www.tracopower.com/overview/tex120](http://www.tracopower.com/overview/tex120)

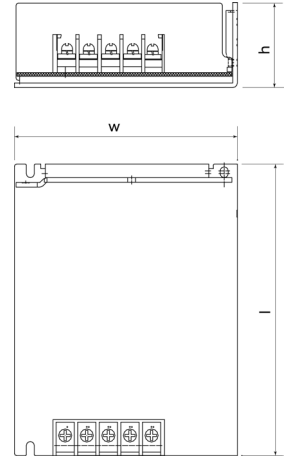
## TXH Series

## 120-480 Watt U-bracket & enclosed power supplies

- Universal input 90-264 VAC and 120-370 VDC
- Output voltages: 12, 24 48 VDC adjustable  $\pm 10\%$
- Very high efficiency up to 93%
- TXH 120/240 cover optional  
TXH 360/480 encased with fan



TXH 120 Watt  
l: 137 mm  
w: 82 mm  
h: 38 mm  
TXH 240 Watt  
l: 150 mm  
w: 106 mm  
h: 35 mm  
TXH 360 Watt  
l: 198 mm  
w: 82 mm  
h: 38 mm  
TXH 480 Watt  
l: 203 mm  
w: 107 mm  
h: 45 mm

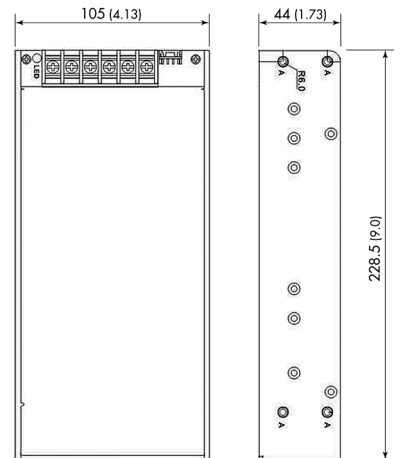


[www.tracopower.com/overview/txh](http://www.tracopower.com/overview/txh)

## TXH 600 Series

## 600 Watt universal power supplies

- Universal input 90-264 VAC and 120-370 VDC
- Output voltages: 12, 24, 48, 54 VDC adjustable  $\pm 5\%$
- 5 VDC auxiliary output
- Rear side IEC-C13 line socket, including mains switch and fuse
- Active power factor correction
- Very high efficiency up to 93 %
- Over-temperature protection
- DC-OK signal and LED indication
- Sense line and current share function

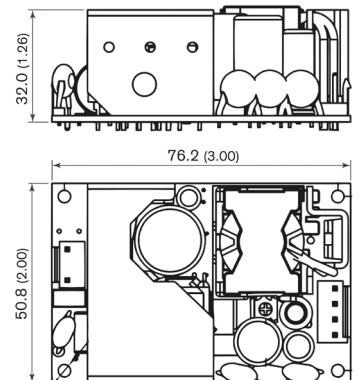
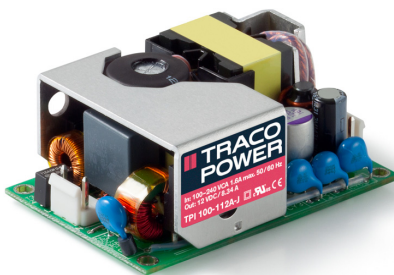


[www.tracopower.com/overview/txh600](http://www.tracopower.com/overview/txh600)

## TPI 100 Series

## 100 Watt 2" x 3" open frame power supplies

- Universal input 85-264 VAC and 120-370 VDC
- Output voltages 12, 15, 24, 36, 48 VDC adjustable  $\pm 10\%$ :
- No load input power <300 mW ErP-ready
- Highest efficiency up to 92%
- Active power factor correction
- Options: Metal casing, screw terminal (standard pin connector), DIN-rail



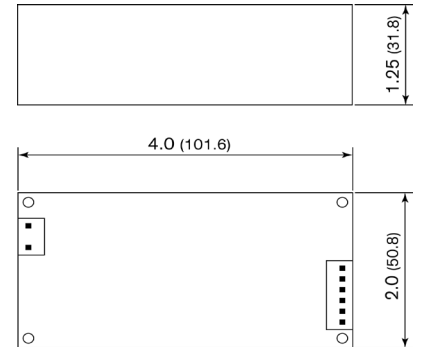
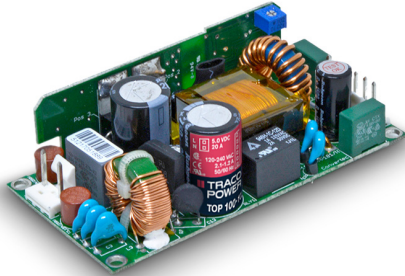
[www.tracopower.com/overview/tpi100](http://www.tracopower.com/overview/tpi100)



## TOP 100 Series

## 100 Watt 2" x 4" open frame power supplies

- Auto-range input  
90-132 / 187-264 VAC and
- Output voltages 12, 15, 24, 36, 48 VDC  
adjustable  $\pm 10\%$ :
- Excellent thermal management
- Highest efficiency up to 92%
- Options: Metal casing

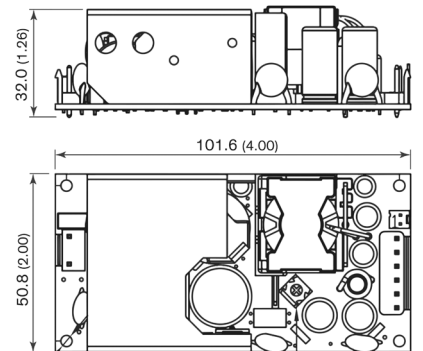


[www.tracopower.com/overview/top100](http://www.tracopower.com/overview/top100)

## TPI 150 Series

## 150 Watt 2" x 4" open frame power supplies

- Universal input 85-264 VAC and  
120-370 VDC
- Output voltages 12, 15, 24, 36, 48 VDC  
adjustable  $\pm 10\%$ :
- No load input power <300 mW  
ErP-ready
- Highest efficiency up to 92%
- Active power factor correction
- Options: Metal casing, screw terminal  
(standard pin connector), DIN-rail

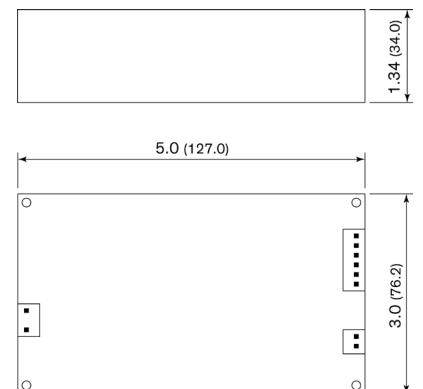
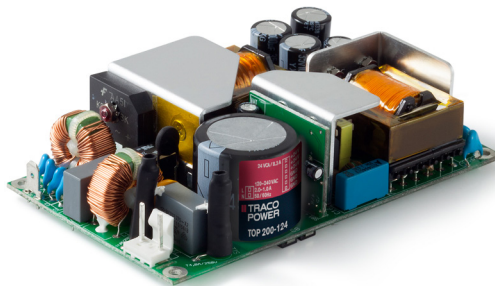


[www.tracopower.com/overview/tpi150](http://www.tracopower.com/overview/tpi150)

## TOP 200 Series

## 200 Watt 3" x 5" open frame power supplies

- Auto-range input  
90-132 / 187-264 VAC
- Output voltages 12, 15, 24, 36, 48 VDC  
adjustable  $\pm 10\%$ :
- Excellent thermal management
- Highest efficiency up to 92%
- Options: Metal casing



[www.tracopower.com/overview/top200](http://www.tracopower.com/overview/top200)

## TBLC Series

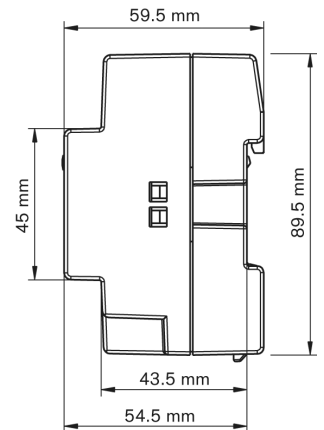
NEW

## 6-90 Watt low profile (DIN 43880) power supplies

- Universal input 85-264 VAC
- Output voltages adjustable  
5-5.5, 12-16, 24-28 VDC
- No load input power <300 mW  
ErP-ready
- Highest efficiency and power density
- Low EMC disturbance
- Suitable for domestic installation  
panels DIN 43880 compliant
- Constant current mode at overload limit
- Safety: IEC 60335-1 (Household)  
EN 50178, EN 60204, EN 61558-2-8  
EN 61558-2-16, UL 508, UL1310  
(NEC class 2)



Width:  
TBLC 6 Watt  
18 mm  
TBLC 15 Watt  
27 mm  
TBLC 25 Watt  
36 mm  
TBLC 50 Watt  
54 mm  
TBLC 75 Watt  
72 mm  
TBLC 90 Watt  
90 mm



[www.tracopower.com/overview/tbhc](http://www.tracopower.com/overview/tbhc)

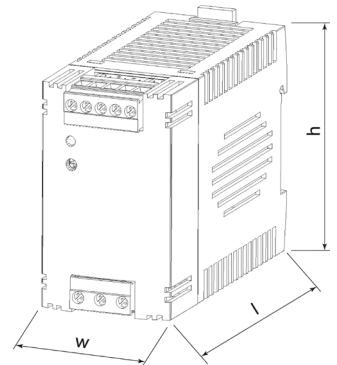
## TCL-DC

## 24-60 Watt DIN-rail DC/DC converters

- Wide input voltage ranges  
9.5-18, 18-75 VDC
- Output voltages adjustable  
5-5.25, 12-15, 24-28 VDC
- Low EMC disturbance and  
low ripple & noise
- Detachable screw type connector
- Constant current mode at overload limit
- Safety: UL 508, EN 50178, EN 60204
- Option: wall mounting bracket  
(included)



TCL-DC 24 Watt  
l: 100 mm  
w: 45 mm  
h: 27 mm  
TCL-DC 60 Watt  
l: 100 mm  
w: 45 mm  
h: 75 mm



[www.tracopower.com/overview/tcl-dc](http://www.tracopower.com/overview/tcl-dc)

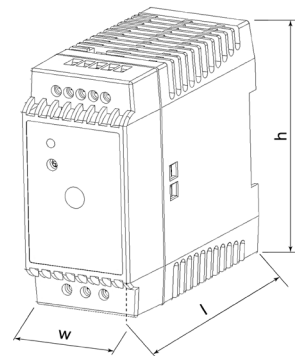
## TPC Series

## 30-120 Watt power supplies in slim plastic casing

- Universal input 85-264 VAC and  
120-370 VDC
- Output voltages adjustable  
5-6, 12-15, 24-28, 48-56 VDC
- No load input power <300 mW  
ErP-ready
- Low EMC disturbance
- Power good signal
- Safety: UL 508, EN 60204, EN 50178  
EN 61558-2-8, EN 61558-2-16
- Options:  
- Redundancy module (see page 14)  
- Wall mounting bracket



TPC 30 Watt  
l: 96.5 mm  
w: 26.5 mm  
h: 90 mm  
TPC 55 Watt  
l: 96.5 mm  
w: 45 mm  
h: 90 mm  
TPC 80 Watt  
l: 96.5 mm  
w: 63 mm  
h: 90 mm  
TPC 120 Watt  
l: 110 mm  
w: 72 mm  
h: 90 mm

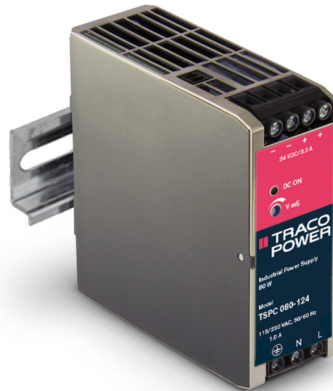


[www.tracopower.com/overview/tpc](http://www.tracopower.com/overview/tpc)

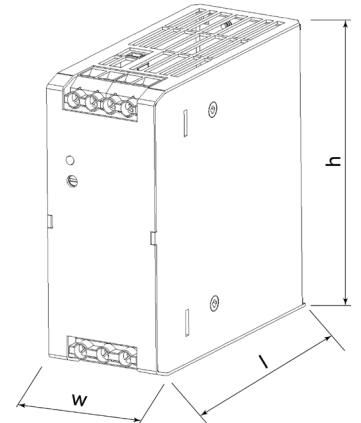
## TSPC Series

### 50-480 Watt rugged power supplies in metal casing

- Auto-range input  
90-132 / 187-264 VAC
- Output voltages adjustable  
12-14, 24-28, 48-56 VDC
- Power good signal
- Over-temperature protection
- Safety:  
IEC/EN 60079-15 (II3G, EEx nA IIC T4)  
UL 508, EN 60204-1, EN 50178,  
EN 61558-2-6/16
- Options:  
- Decoupling module (see page 14)  
- Wall mounting bracket



TSPC 50 Watt	l: 87 mm
	w: 35 mm
	h: 110 mm
TSPC 80 Watt	l: 87 mm
	w: 35 mm
	h: 110 mm
TSPC 120 Watt	l: 87 mm
	w: 35 mm
	h: 110 mm
TSPC 240 Watt	l: 87 mm
	w: 35 mm
	h: 110 mm
TSPC 480 Watt	l: 87 mm
	w: 35 mm
	h: 110 mm



[www.tracopower.com/overview/tspc](http://www.tracopower.com/overview/tspc)

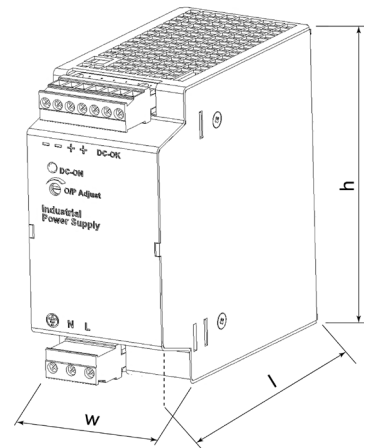
## TSP Series

### 72-600 Watt rugged power supplies in metal casing

- Universal input 85-264 VAC
- Output voltages adjustable  
12-14, 24-28, 48-56 VDC
- Remote control signal inputs &  
monitoring outputs
- Over-temperature protection
- Safety:  
IEC/EN 60079-15 (Class I, Zone 2,  
EEx nC II C T4 U, UL 508, EN 60204-1,  
EN 50178, EN 61558-2-16
- Options:  
- Modules for redundancy, battery  
control and blackout buffer  
(see page 13-14)  
- Wall mounting bracket



TSP 72/90 Watt	l: 110 mm
	w: 35 mm
	h: 110 mm
TSP 180 Watt	l: 110 mm
	w: 54 mm
	h: 110 mm
TSP 360 Watt	l: 125 mm
	w: 80 mm
	h: 125 mm
TSP 600 Watt	l: 125 mm
	w: 165 mm
	h: 125 mm



[www.tracopower.com/overview/tsp](http://www.tracopower.com/overview/tsp)

## TIB Series

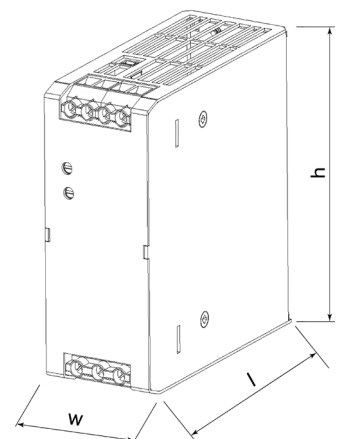
**NEW**

### 80-480 Watt rugged power supplies in metal casing

- Universal input 85-264 VAC
- Output voltages adjustable  
23-28 VDC
- Active power factor correction
- Excellent efficiency up to 94%
- Slim profile, alternative side  
mounting (for flat panels)
- 150% boost power for 4 sec.
- True power back immunity (no  
undershoot)
- Safety: UL 60947-1 (replaces UL508)



TIB 80 Watt	l: 98 mm
	w: 32 mm
	h: 114 mm
TIB 120 Watt	l: 119 mm
	w: 36 mm
	h: 125 mm
TIB 240 Watt	l: 119 mm
	w: 48 mm
	h: 125 mm
TIB 480 Watt	l: 119 mm
	w: 82 mm
	h: 125 mm



[www.tracopower.com/overview/tib](http://www.tracopower.com/overview/tib)

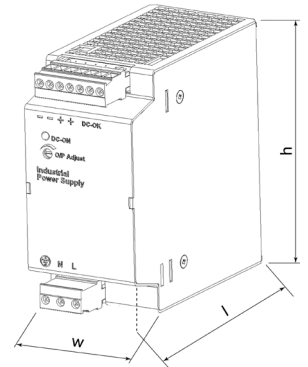
## TSP-WR Series

- Input ranges: 85–132 VAC / 187...550  
187–264 VAC / 323–550 VAC
- Output voltages adjustable  
24-28 VDC
- Over-temperature protection
- Safety:  
IEC/EN 60079-15 (II3G, EEx nA IIC T4)  
UL 508, EN 60204-1, EN 50178,  
EN 61558-2-16
- Options:  
- Modules for redundancy, battery  
control and blackout buffer  
(see page 12-14)  
- Wall mounting bracket



## 180-600 Watt for 3-phase networks

- TSP-WR 180 Watt  
l: 110 mm  
w: 54 mm  
h: 110 mm
- TSP-WR 360 Watt  
l: 125 mm  
w: 80 mm  
h: 125 mm
- TSP 600 Watt  
l: 125 mm  
w: 190 mm  
h: 125 mm

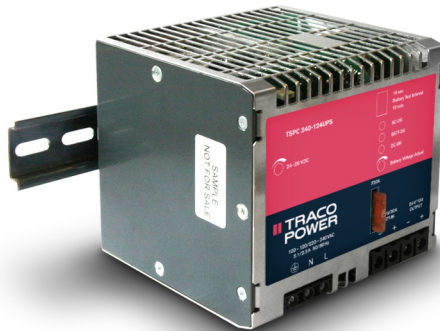


[www.tracopower.com/overview/tsp-wr](http://www.tracopower.com/overview/tsp-wr)

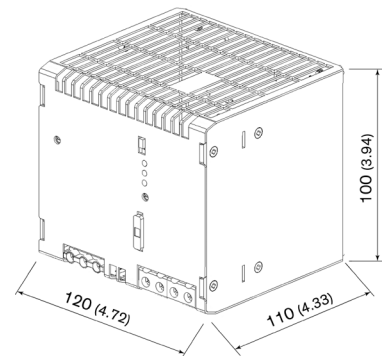
## TSPC 240UPS

**NEW**

- Compact universal 24 VDC power  
supply with integrated battery  
controller module
- Battery protection for over-voltage,  
deep discharge, short circuit and  
reverse connection
- Alarm outputs for input, output and  
battery condition
- safety:  
IEC/EN 60079-15 (II3G, EEx nA IIC T4)  
UL 508, EN 60204-1, EN 50178,  
EN 61558-2-6/16
- Options:  
- Controlled end of charge  
voltage by temperature sensor  
- Selection of high quality lead-acid  
battery packs



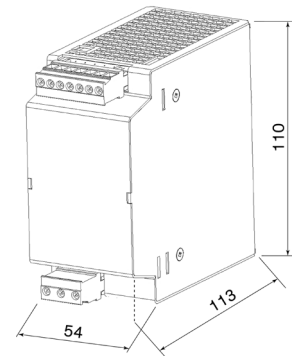
## 240 Watt DC-UPS power supply



[www.tracopower.com/overview/tspc-ups](http://www.tracopower.com/overview/tspc-ups)

**TSP-BCMU360****NEW****Universal battery controller module up to 360 Watt**

- Universal battery controller module for uninterruptable 24 VDC and 48 VDC bus voltage of any source
- Battery protection for over-voltage, deep discharge, short circuit and reverse connection
- Redundant inputs for two independent sources
- Alarm outputs for input, output and battery condition
- Options:
  - Controlled end of charge voltage by temperature sensor
  - Selection of high quality lead-acid battery packs



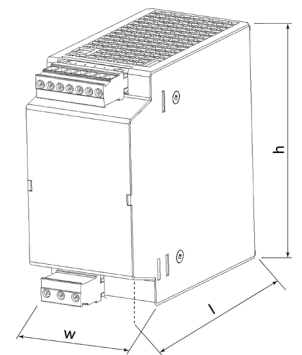
[www.tracopower.com/overview/tsp-bcmu](http://www.tracopower.com/overview/tsp-bcmu)

**TSP-BCM****Battery controller modules up to 600 Watt**

- Battery controller module in connection to a TSP Series power supply for 12, 24 and 48 VDC
- Battery protection for over-voltage, deep discharge, short circuit and reverse connection
- Alarm outputs for input, output and battery condition
- Options:
  - Controlled end of charge voltage by temperature sensor
  - Selection of high quality lead-acid battery packs



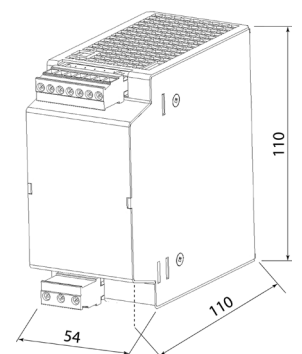
TSP-BCM 360 Watt  
 l: 110 mm  
 w: 35 mm  
 h: 110 mm  
 TSP-BCM 600 Watt  
 l: 110 mm  
 w: 54 mm  
 h: 110 mm



[www.tracopower.com/overview/tsp](http://www.tracopower.com/overview/tsp)

**TSP-BFM****Buffer module**

- Module to maintain the output voltage during typical mains faults, short time blackouts or voltage dips
- Capacitor bank for energy storage, no battery needed!
- For 24 to 28 VDC of any source
- Guaranteed hold-up-time 200 ms/25 A to 4 s/1.2 A max.
- Maintenance free, long lifetime, high performance also at low temperature.
- Active ready and inhibit signals



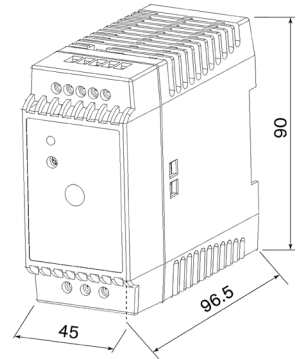
[www.tracopower.com/overview/tsp](http://www.tracopower.com/overview/tsp)

## TPC-REM

- TPC series accessory module
- For 24 or 48 VDC models
- True current sharing on two 120 W rated inputs for output power up to 240 W
- DC-OK signal output
- Robust plastic casing



## Redundancy module up to 240 Watt



[www.tracopower.com/overview/tpc](http://www.tracopower.com/overview/tpc)

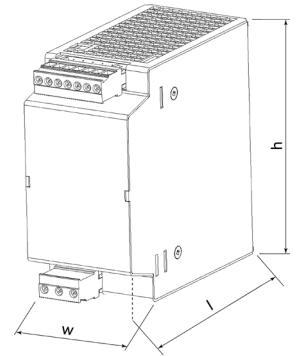
## TSP-REM

- TSP series accessory modules
- Hot swappable inputs
- True current sharing on two inputs, each input is rated for the max. output power of 360 or 600 Watt
- Alarm outputs, redundancy OK signal remote On/Off



## Redundancy modules up to 600 Watt

TSP-REM 360 Watt  
l: 110 mm  
w: 35 mm  
h: 110 mm  
TSP-REM 600 Watt  
l: 110 mm  
w: 54 mm  
h: 110 mm



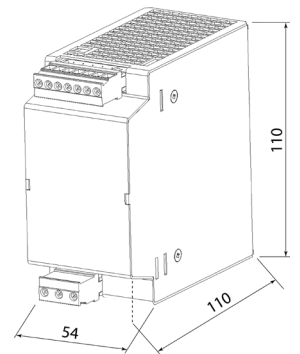
[www.tracopower.com/overview/tsp](http://www.tracopower.com/overview/tsp)

## TSPC-DCM

- Universal decoupling module
- Input voltage range 5 - 28 VDC
- Two inputs, each rated for 25 A
- No remote link to PS
- Rugged metal casing



## Decoupling module up to 600 Watt



[www.tracopower.com/overview/tspc](http://www.tracopower.com/overview/tspc)

# TRACO POWER

## Solutions

*Risk* **Standards**  
*Requirement Audit*  
**Compliance**  
*Performance Regulations*  
*Safety Rules*

With our design house

**TRACO POWER SOLUTIONS Ltd.**

we have the facility to expeditiously design customized power supplies and to manufacture prototypes and pre-series.

Our design engineers have access to fully equipped and modern test laboratories. It gives us the opportunity to provide solutions adjusted to special demands in terms of compliance, cost, performance and functionality. We initiate high volume production for effective pricing with our qualified manufacturing facilities in Asia while we supervise the production quality.

**Our design competence to meet exigence regarding:**

- Safety requirements
- EMI compliance
- Electrical specifications
- Form factor, connection, fastening
- Mechanical robustness
- Thermal resistance
- Control features and functionality (logic boards)
- Cost /performance optimization

**Our services:**

- Research & design
- Commercial and technical support
- Pre-compliance safety and EMI test.
- Mechanical and thermodynamic tests
- HALT and performance test
- 100% functional testing and burn-in
- Project attendance with external test and certification authorities
- Prototyping and volume production of custom designed power supplies
- Production of OEM and white label power supplies

[www.tracopower-solutions.com](http://www.tracopower-solutions.com)



**TRACO POWER – dedicated to design and production of high quality, state-of-the-art AC/DC & DC/DC power conversion products for Industrial, Medical & Railway applications. Our mission is to provide optimal power supply solutions for specific applications with regard to performance, quality, cost and functionality.**

**TRACO POWER stocks an average of USD 13+ million in available finished goods inventory for immediate shipment through our distribution partners.**

**TRACO POWER offers extended product life-cycles, typically 10+ years, and our products are supported by a 3 or 5 year product warranty.**

**We understand our customers require a high quality solution as well as a diverse product offering, availability from stock, extended life-cycles and a strong commitment to quality in the form of extended warranty to support their business.**

**International Office**

Traco Electronic AG  
Sihlbruggstrasse 111  
6340 Baar  
Switzerland

P +41 43 311 45 11  
F +41 43 311 45 45  
info@traco.ch

**German Office**

Traco Electronic GmbH  
Oskar-Messter-Str. 20a  
85737 Ismaning/München  
Germany

P +49 89 96 11 82-0  
F +49 89 96 11 82-20  
info@traco-electronic.de

**North America Office**

Traco Power North America, Inc.  
2025 Gateway Place #330  
San Jose, CA 95110  
USA

P +1 (408) 916-4570  
F +1 (408) 916-4571  
salesusa@tracopower.com

**Design & Development**

Traco Power Solutions Ltd.  
Whitemill Industrial Estate  
Whitemill Road, Wexford  
Y35 YH66, Ireland

P +353 53 9167 700  
F +353 53 9167 701  
info@tracopower-solutions.com